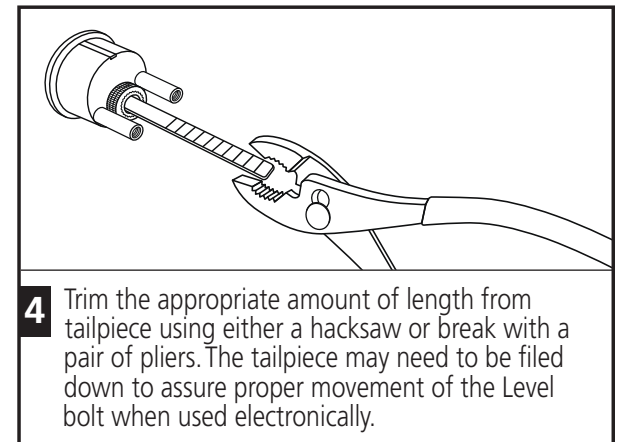
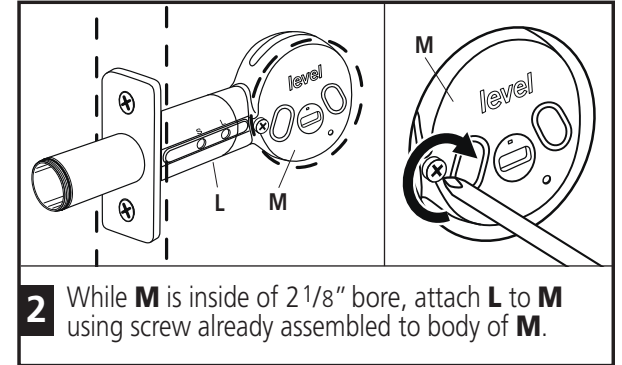
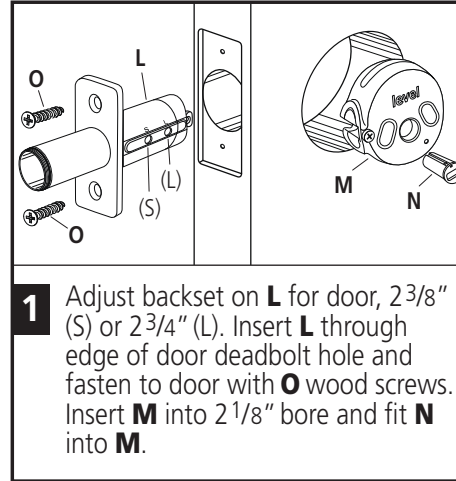
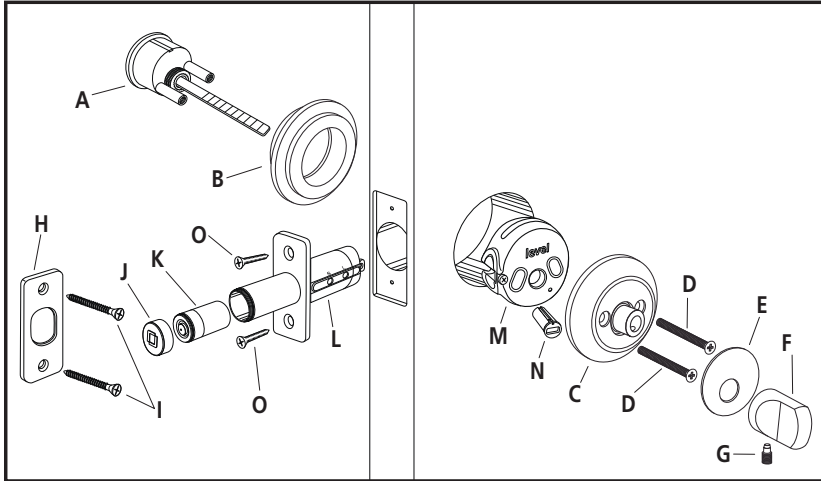


OMNIA+ LEVEL Smart Auxiliary Deadbolt (Stainless Steel)



Instructions/Template for Single Cylinder



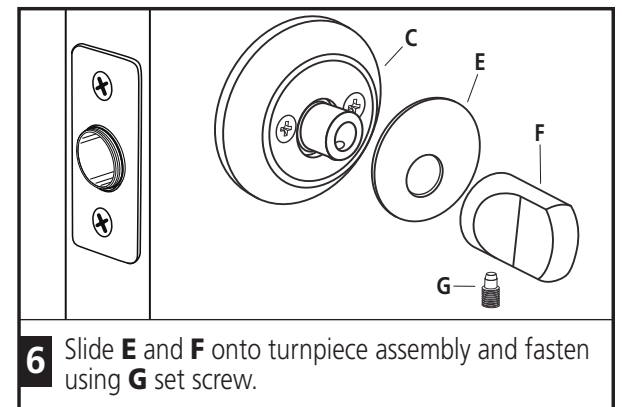
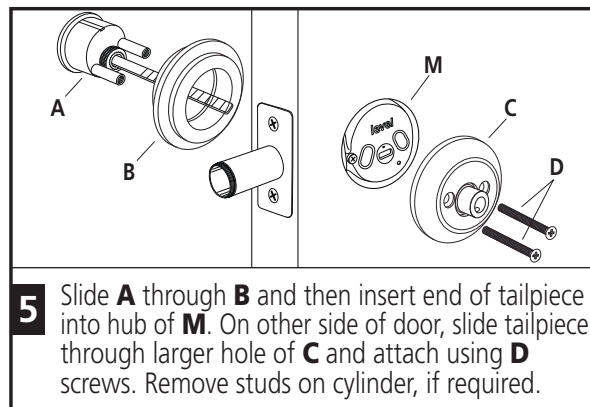
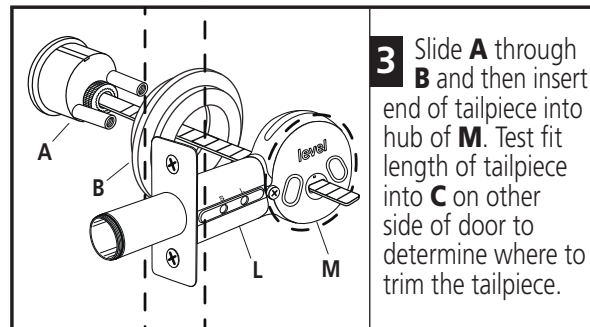
Parts Enclosed:

- A - Tailpiece Cylinder with Studs
- B - Outside Cylinder Collar
- C - Turnpiece Assembly
- D - 2 - 2" Cylinder Mounting Breakaway Screws
- E - Cover Plate
- F - Turnpiece
- G - Set Screw
- H - Level Strike
- I - 2 - 1 1/2" Mounting Screws for Level Strike
- J - Battery Cap
- K - CR2 Battery
- L - Level Deadbolt
- M - Level Deadbolt Housing
- N - Hub of Level Bolt
- O - 2 - 1" Mounting Screws for Level Deadbolt Faceplate

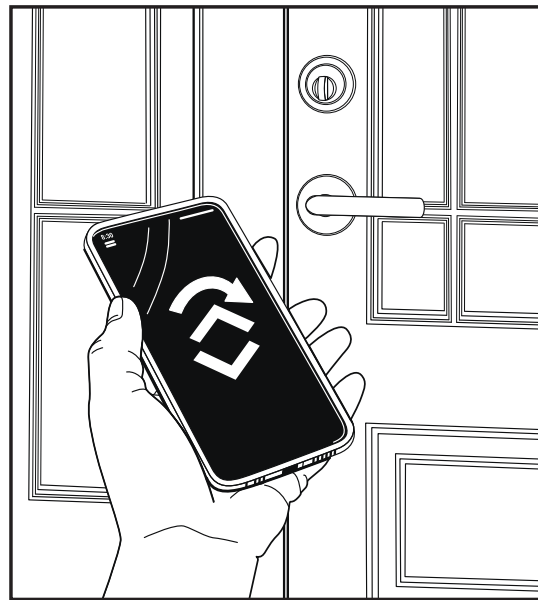
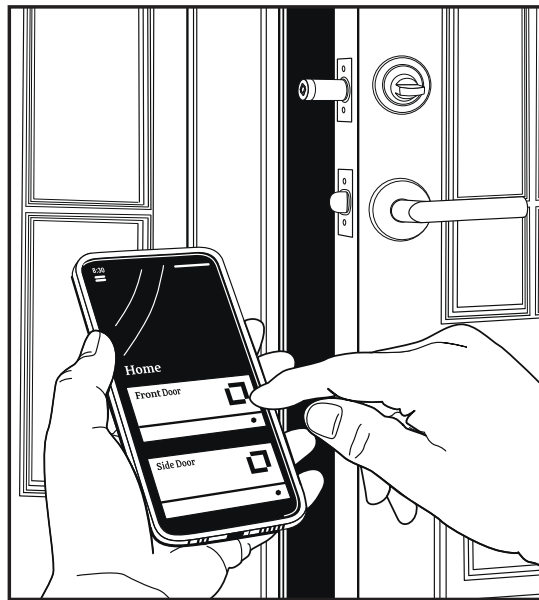
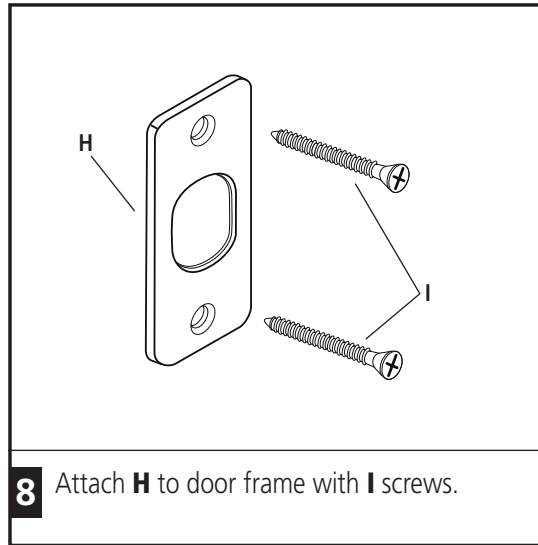
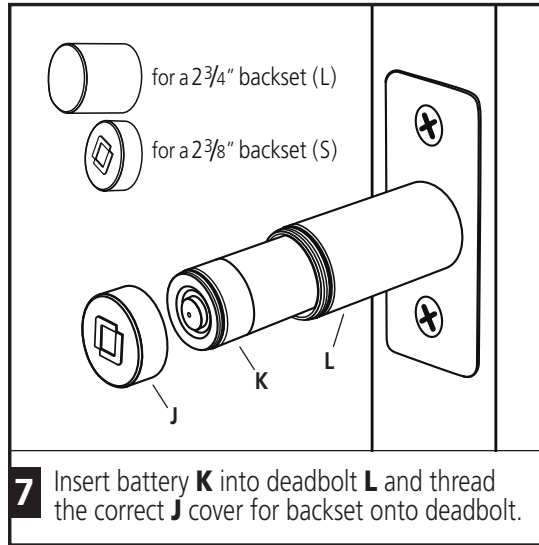
Tools Needed:

Doors Prepared with 2 1/8" Cutout

- 1 - No.1 and No.2 Phillips screwdrivers
- 2 - Measuring device
- 3 - Flathead screwdriver
- 4 - Pliers or hacksaw
- 5 - Metal file



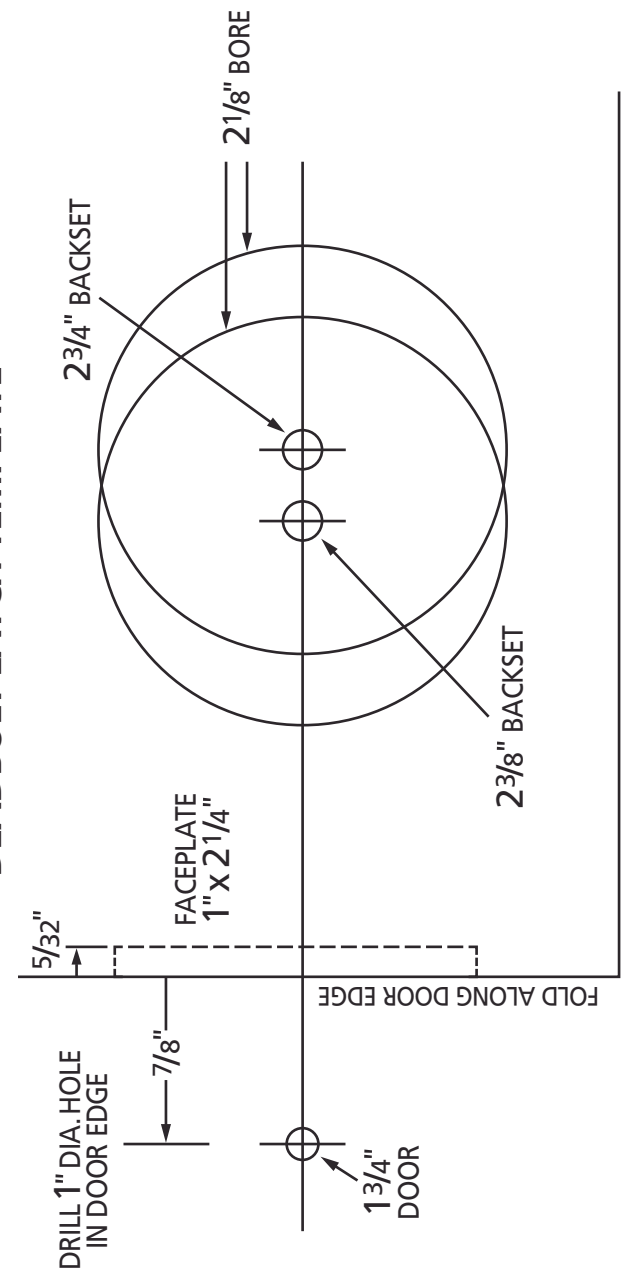
OMNIA level



Testing Test proper orientation of deadbolt, electronically. First test the operation with the door in the open position, and then test the deadbolt in the closed position. When closed, always test from the inside of the door **(in order to prevent getting locked out)**.

Congratulations - Your installation is now complete! If you have any trouble, please call OMNIA at the number listed below. **We thank you for your purchase.**

DEADBOLT LATCH TEMPLATE



CAUTION: DOOR AND FRAME MANUFACTURERS
When door gasketing or silencers are used, proper allowances must be made for strike location to maintain a common centerline with lock and door so that the bolt will freely enter strike.