

STAINLESS STEEL & PVD Latchsets

Product Data

Stainless Steel Latchsets

- Will fit 2 1/8" bore.
- 2 3/8" and 2 3/4" backsets available.
- Supplied for 2 3/8" backset and 1 3/8" door thickness unless otherwise specified.
- All lever latchsets meet ADA accessibility requirements.

Latch Features

- 28° retraction.
- 8 mm hub.
- Adjustable faceplate/armor plate for beveled doors.
- Built-in privacy feature with automatic release by inside lever or depression of latch nose.
- All dimensions are standard to fit existing bores for replacement installations.
- No. 013 "T" strike supplied as a standard or No. 014 "Full Lip" strike as an option at no extra charge. No. 019 4 7/8" ASA strike also available for an additional charge. Specify when ordering.

Concealed Screw Roses

Self-aligning, spring-assisted roses.

- 2 7/16" dia. x 3/8" proj. Shipped standard.
- 2 7/16" square x 3/8" proj. or 2" dia. x 7/16" proj. optional. (To achieve a privacy function with a 2" dia. rose, a separate mortise privacy bolt must be ordered.)

Functions

- **PA – Passage:** Latch operates by lever from either side of door. Uses 8 mm solid spindle.
- **PR – Privacy:** Latch operates by lever from either side. Push button on interior rose engages privacy; emergency release hole is on exterior rose. Turning inside lever will release privacy and retract latchbolt. For bathroom or bedroom. Uses 8 mm split spindle.
- **SD – Single Dummy:** Trim on one side of door only. For pair dummy, order two single dummies.

Passage Latches (8 mm hub)

107LPA38: 2 3/8" backset
Passage lever latch

107LPA34: 2 3/4" backset
Passage lever latch

Privacy Latches (8 mm hub)

108LPR38: 2 3/8" backset
Privacy lever latch

108LPR34: 2 3/4" backset
Privacy lever latch

The above part numbers should be used when ordering latches only.



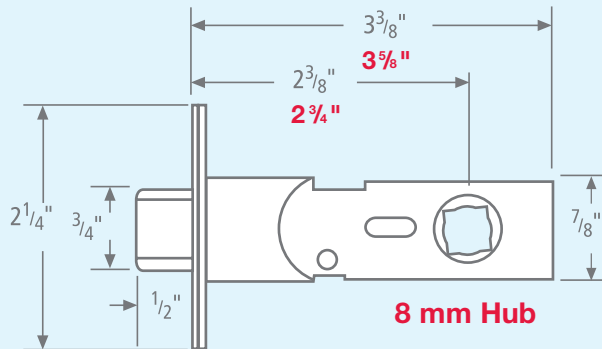
All OMNIA lever latchsets meet ADA accessibility requirements.

Finish Options

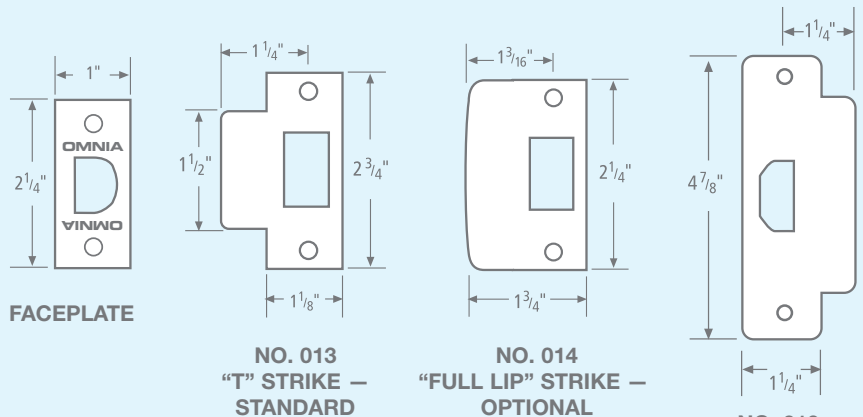
- US32** Polished Stainless Steel
- US32D** Satin Stainless Steel

Care of Product

OMNIA's Stainless Steel requires minimal attention and will not tarnish or corrode under normal circumstances. However, exposure to certain chemical or environmental conditions may promote surface oxidation. Please be aware that this is not a defect in the stainless steel but a reaction on the surface of the finish to the chemical environment which can be removed with stainless steel polish, or an abrasive pad.



SPECIFY 2 3/8" OR 2 3/4" BACKSET.



DRAWINGS NOT TO SCALE

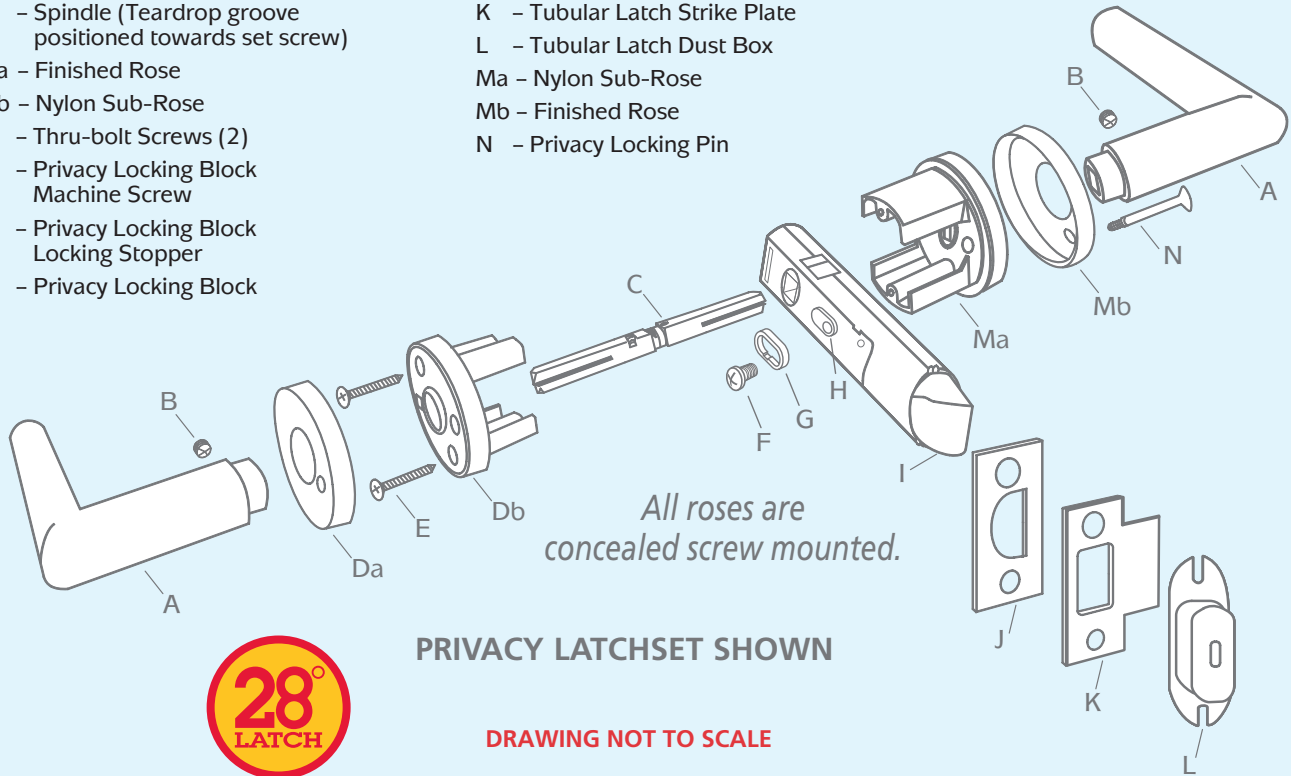
**NO. 019
"ASA" STRIKE –
OPTIONAL
(Add \$20 to
latchset price)**

STAINLESS STEEL & PVD Latchsets

Product Data

Latchset Component List

- A - Door Levers (2)
- B - Set Screws (2)
- C - Spindle (Teardrop groove positioned towards set screw)
- Da - Finished Rose
- Db - Nylon Sub-Rose
- E - Thru-bolt Screws (2)
- F - Privacy Locking Block Machine Screw
- G - Privacy Locking Block Locking Stopper
- H - Privacy Locking Block
- I - Tubular Latch
- J - Tubular Latch Faceplate
- K - Tubular Latch Strike Plate
- L - Tubular Latch Dust Box
- Ma - Nylon Sub-Rose
- Mb - Finished Rose
- N - Privacy Locking Pin



FINISH CODES



32
Polished
Stainless
Steel



32D
Satin
Stainless
Steel

How to Order Stainless Steel

EXAMPLE: PASSAGE/PRIVACY

All sets shipped standard for 2 3/8" backset and 1 3/8" door thickness and T strike.

Design	Rose Option	Latch	Strike	Function	Finish
12		238	T	PA	32D
Lever Item #	Only for: S = Square M52 = 2" Round	238 = 2 3/8" Backset 234 = 2 3/4" Backset 0 = Single Dummy	T = "T" Strike F = Full Lip Strike	See Function Codes (Page 94)	See Finish Codes (Above)

Product order number would be 12/238T.PA32D or 12/0.SD32D for a single dummy.