

SPECIFICATIONS

- Available in 2³/₈" or 2³/₄" backsets. Please specify backset and door thickness at time of order.
- Suitable for most pre-existing bores for cylindrical locks.
- Supplied with Schlage "C" keyway as a standard. Available on special order with a variety of other keyways and key combinations.
- Deadbolt employs a rim cylinder for ease of re-keying and key changes.

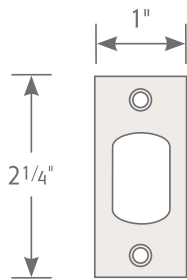
LOCK FUNCTIONS

- A** — Activated by key outside and turnpiece inside.
- AC** — Activated by key only from either side.
(For stainless steel auxiliary deadbolts only.)

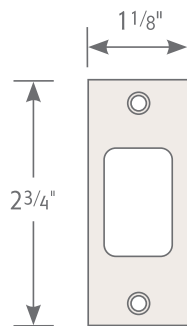
Supplied with:

- 2³/₄" x 1¹/₈" finished strike.
- 2³/₄" x 1¹/₈" x 3³/₁₆" armored strike reinforcement.
- Two #10 x 3" wood screws to reach door frame studs, two #8 x 3³/₄" combo wood/metal screws, two #8 x 3³/₄" sheet metal screws, and dust box.

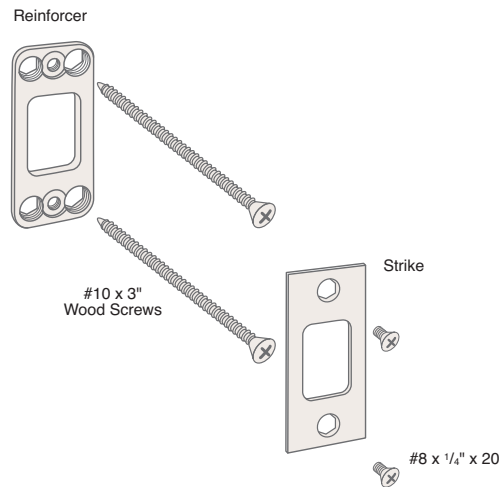
FACEPLATE



STRIKE

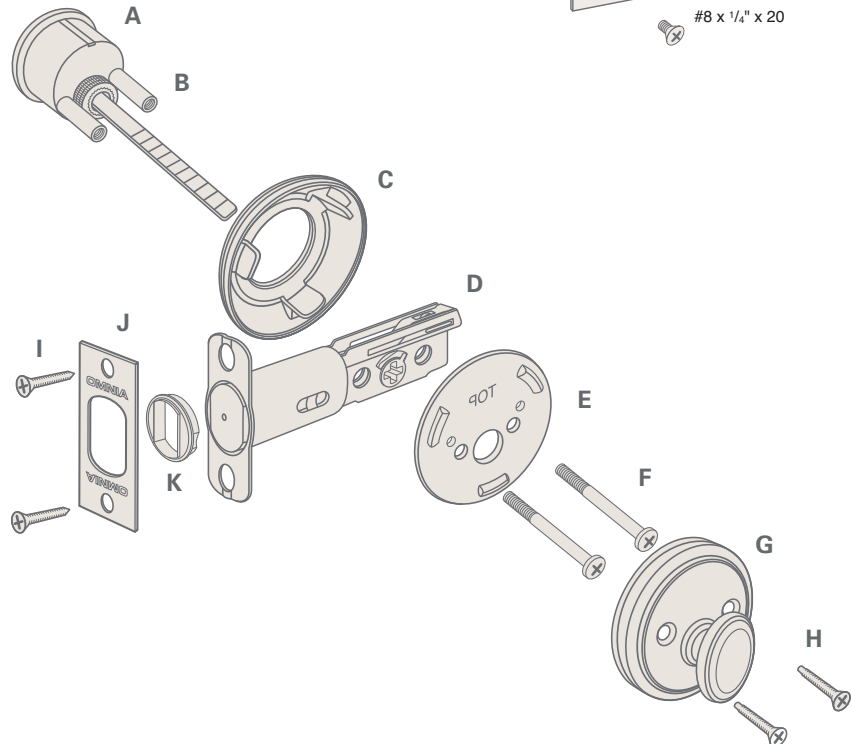


INSTALLATION OF REINFORCER AND STRIKE



AUXILIARY DEADBOLT — Exploded View *Shown as "A" Function*

- A — Rim Cylinder
- B — Standoffs
- C — Outside Collar
- D — Deadbolt Latch
- E — Inside Rim Cylinder Mounting Plate
- F — Rim Cylinder Hardened Thru-Bolt Screws
- G — Inside Turnpiece and Rose
- H — Inside Mounting Screws (2)
- I — #8 x 1" Sheet Metal Screws (2)
- J — Deadbolt Faceplate
- K — Deadbolt Stabilizer



DRAWINGS NOT TO SCALE

AUXILIARY DEADBOLT KITS

OmniaIndustries.com | 973.239.7272