

Narrow Plate Latchsets

- Features our tubular latch used worldwide.
- For residential and commercial use. *Consult with OMNIA for commercial applications.*
- 2³/₈" and 2³/₄" backsets available.
- Supplied for 2³/₈" backset and 1³/₈" door thickness unless otherwise specified.
- All levers are ADA approved.

Functions

Passage: Latch operates by knob or lever from either side.

Privacy: Latch operates by knob or lever from either side. Locks by privacy bolt with turnpiece on inside; emergency release hole on outside plate. For bathroom or bedroom.

Pair Dummy: Trim only. Available for surface mounting or with thru-bolt assembly. *Dummy lever application not recommended for commercial use.*

Single Dummy: Trim, one side only. Surface mounted. *Dummy lever application not recommended for commercial use.*

Solid Brass Backplates

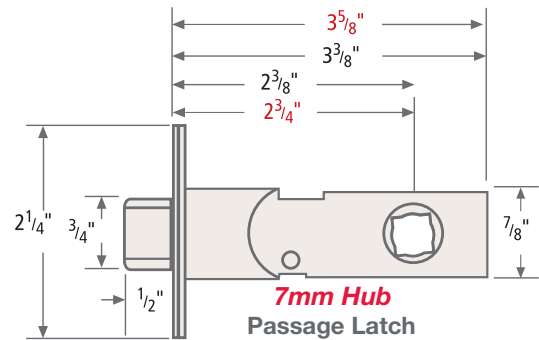
13000 Series	9 ³ / ₈ " x 1 ⁷ / ₁₆ " x 1/4" proj.
16000 Series	9 ³ / ₈ " x 1 ³ / ₈ " x 1/4" proj.
17000 Series	8 ¹ / ₄ " x 1 ⁵ / ₁₆ " x 7/32" proj.
18000 Series	9 ¹ / ₄ " x 1 ⁷ / ₁₆ " x 7/32" proj.
19000 Series	9 ⁷ / ₁₆ " x 1 ¹ / ₂ " x 1/4" proj.
21000 Series	10 ⁹ / ₁₆ " x 1 ³ / ₄ " x 1/4" proj.
22000 Series	11 ⁷ / ₁₆ " x 1 ³ / ₄ " x 1/4" proj.

Finishes

- US3
- US26
- US26D
- SB

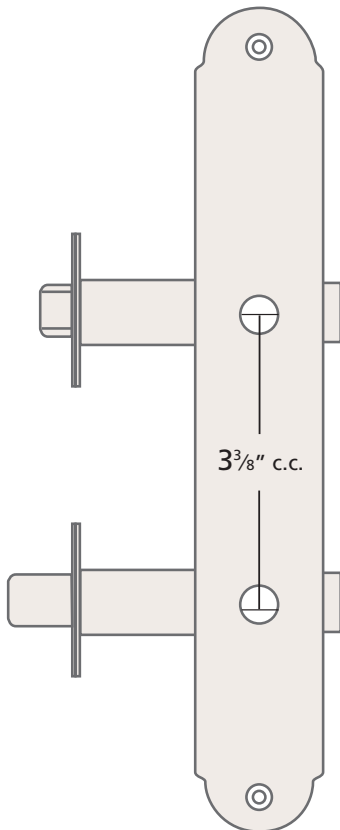
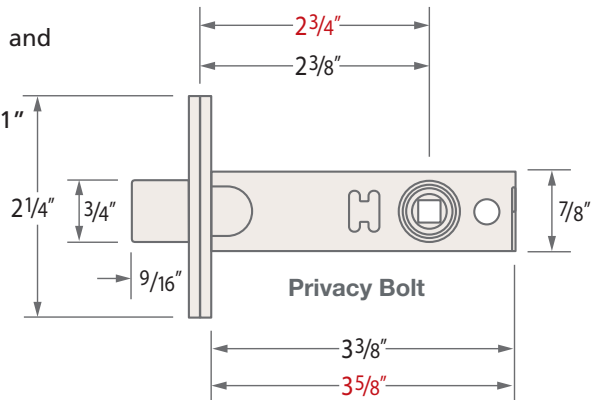
Available in 2³/₈" and 2³/₄" backsets.

Faceplate: 2¹/₄" x 1"
Strike: 2³/₄" x 1¹/₈"
Bolt: 1/2" throw



Available in 2³/₈" and 2³/₄" backsets.

Faceplate: 2¹/₄" x 1"
Strike: 2³/₄" x 1¹/₈"
Bolt: 9/16" throw



DRAWING NOT TO SCALE



All OMNIA lever latchsets meet ADA accessibility requirements.