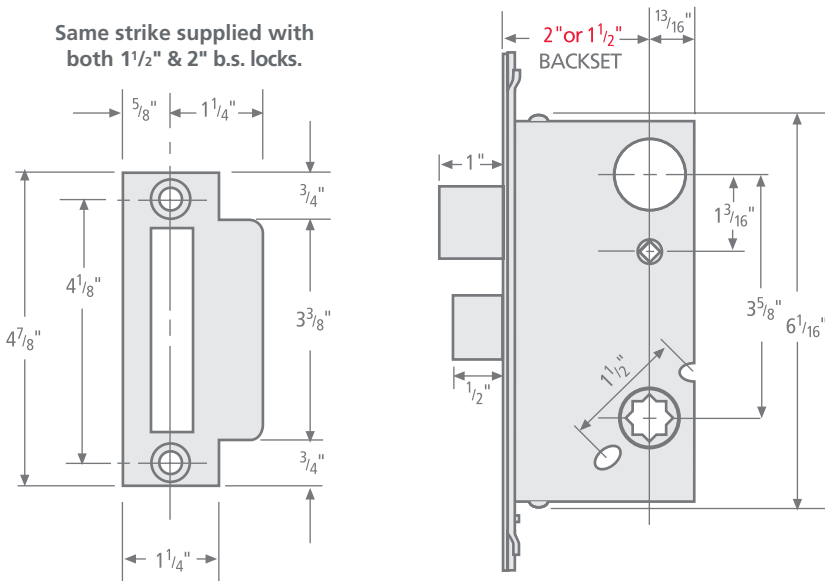


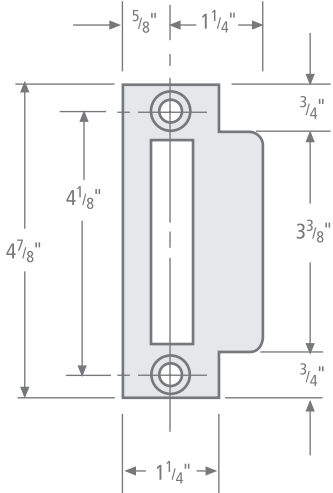
Narrow Backset Locksets Product Data

1 1/2" and 2" Narrow Backset Mortise Locks

Available with two backset options — 1 1/2" or 2". Other backset options available. Please specify when ordering. Available for levers only. Specify right hand or left hand. Not reversible.



Same strike supplied with both 1 1/2" & 2" b.s. locks.



Extended lip strikes are available.

Solid Brass Backplates

60000 Series	11 7/16" x 1 3/4" x 1/4" proj.
63000 Series	10 1/8" x 1 3/4" x 3/8" proj.
64000 Series	8 1/4" x 2" x 1/4" proj.
65000 Series	9 1/2" x 1 9/16" x 3/8" proj.

DRAWINGS NOT TO SCALE

Made in U.S.A.

Backset: Available with two backset options 1 1/2" and 2". Please specify backset on order.

Case: Heavy gauge plated steel.

- 1 1/2" b.s.: 6 1/16" x 2 5/16" x 3/4"
- 2" b.s.: 6 1/16" x 2 13/16" x 3/4"

Accommodates thru-bolted roses.

Front: Adjustable armored steel front, with 8" x 1 1/4" solid brass faceplate for both bodies. Finished to match trim.

Latchbolt: Solid brass with 1/2" x 1" x 1/2" throw.

Deadbolt: Solid brass with 1/2" x 3/4" x 1" throw.

Strike: Solid brass curved lip strike. 4 7/8" x 1 1/4" x lip 1 1/4" to center. Finished to match trim. Dust box supplied as standard. Extended lip strikes are available.

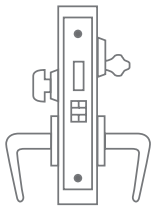
Cylinder: Solid brass from bar stock. Made in USA. Schlage® "C" keyway supplied as a standard, with two OMNIA nickel silver keys. When applicable, cylinder collars are supplied with compression spring. Available on special order in a variety of other keyways and key combinations.

Keying: Specify Keyed Alike (KA) when needed. Master / Grand / Construction Keying available at additional cost.

Entry — B

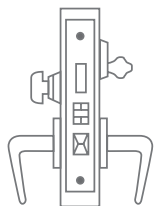
Shipped Standard

Latchbolt by lever either side. Deadbolt by key outside and turnpiece inside. No locking rocker switch; hubs always operable.



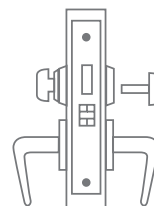
Single Cylinder — A

Latchbolt by lever either side except when outside lever is locked by the rocker switch in the front; then by key outside, lever inside. Deadbolt by key outside and turnpiece inside.



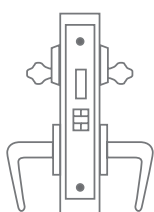
Privacy — L

Latchbolt by lever either side. Deadbolt by turnpiece inside and emergency key outside.



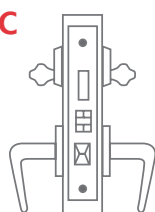
Entry Double Cylinder — BAC

Latchbolt by lever either side. Deadbolt by key either side. No locking rocker switch; hubs always operable.



Double Cylinder — AC

Latchbolt by lever either side except when the outside lever is locked by the rocker switch in the front; then by key outside, lever inside. Deadbolt by key either side.



Passage — N

Latchbolt by lever either side.

