

Narrow Backset Locksets

Product Data

Narrow Backset Mortise Lock Specifications

- **Backsets:** Available with two backset options – 1 1/2" and 2". Other backset options available. Please specify when ordering. Available for levers only. Specify right hand or left hand. Not reversible.

Solid Brass Backplates

- 60000 Series** 1 17/16" x 1 3/4" x 1/4" proj.
- 64000 Series** 8 1/4" x 2" x 1/4" proj.
- 65000 Series** 9 1/2" x 1 9/16" x 3/8" proj.

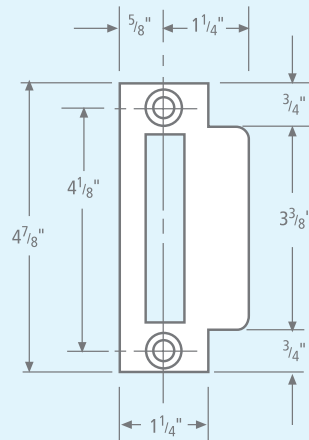
Case: Heavy gauge plated steel.

- 1 1/2" b.s.: 6 1/16" x 2 5/16" x 3/4"
- 2" b.s.: 6 1/16" x 2 13/16" x 3/4"

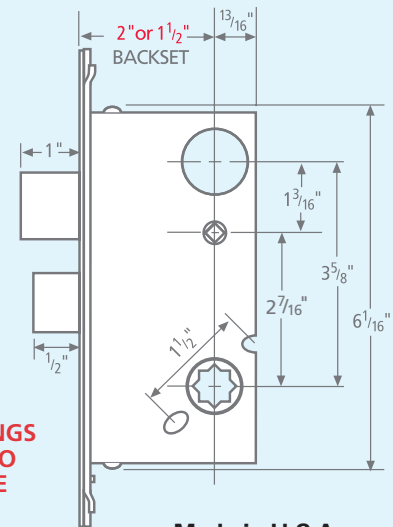
Accommodates thru-bolted roses.

- **Front:** Adjustable armored steel front, with 8" x 1 1/4" solid brass faceplate for both bodies. Finished to match trim.
- **Latchbolt:** Solid brass with 1/2" x 1" x 1/2" throw.
- **Deadbolt:** Solid brass with 1/2" x 3/4" x 1" throw.
- **Strike:** Solid brass curved lip strike. 4 7/8" x 1 1/4" x lip 1 1/4" to center. Finished to match trim. Dust box

Same strike supplied with both 1 1/2" & 2" b.s. locks.



Extended lip strikes are available.



DRAWINGS NOT TO SCALE

Made in U.S.A.

supplied as standard. Extended lip strikes available.

- **Cylinder:** Solid brass from bar stock. Made in USA. Schlage® "C" keyway supplied as a standard, with two OMNIA nickel silver keys. When applicable, cylinder collars are supplied with compression spring.

Available on special order in a variety of keyways and key combinations.

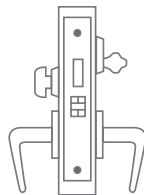
- **Keying:** Specify Keyed Alike (KA) when needed. Master / Grand / Construction Keying available at additional cost.

Functions

B – Entry

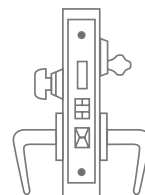
Shipped Standard

Latchbolt by lever either side. Deadbolt by key outside and turnpiece inside. No locking rocker switch; hubs always operable.



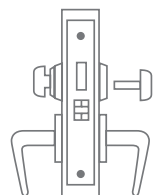
A – Single Cylinder

Latchbolt by lever either side except when outside lever is locked by the rocker switch in the front; then by key outside, lever inside. Deadbolt by key outside and turnpiece inside.



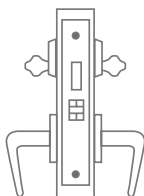
L – Privacy

Latchbolt by lever either side. Deadbolt by turnpiece inside and emergency key outside.



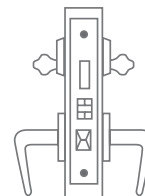
BAC – Entry Double Cylinder

Latchbolt by lever either side. Deadbolt by key either side. No locking rocker switch; hubs always operable.



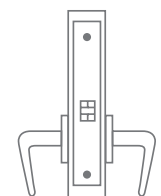
AC – Double Cylinder

Latchbolt by lever either side except when the outside lever is locked by the rocker switch in the front; then by key outside, lever inside. Deadbolt by key either side.



N – Passage

Latchbolt by lever either side.



How to Order Narrow Backset Locksets

EXAMPLE:

Plate
60

Series #

Design
231

Lever Item #

Function
A

See Function Codes Above

Backset
15

15 = 1 1/2" Backset
20 = 2" Backset

Handing
L

L = Left-Handed
R = Right-Handed

ACTIVE

Finish
I

See Finish Codes (Page 106)*

*See individual product entries for available finishes.

Product order number would be **60231A15L1** or **60231SD00L1** for a single dummy.