

MODERN Latchsets Product Data

Knob & Lever Latchsets

- Will fit 2 1/8" bore.
- For residential and commercial use.
Consult with OMNIA for commercial applications.
- 2 3/8" and 2 3/4" backsets available.
- Supplied for 2 3/8" backset and 1 3/8" door thickness unless otherwise specified.
- All lever latchsets meet ADA accessibility requirements.
- Each set consists of solid brass knobs or levers, concealed screw finished roses, metal thru-bolting rose cassette, latch, strike, dust box, faceplate, spindle, all necessary mounting screws, installation template and instructions.

Concealed Screw Roses

Modern	2 9/16" dia. x 3/8" proj.
Square	2 9/16" sq. x 7/16" proj.
Modern 50	2" dia. x 3/8" proj.
Square 50	2" sq. x 3/8" proj.

Tubular Latch Features

- All dimensions are standard to fit existing bores for replacement installations.
- Tough, non-rusting materials used throughout. Face covers and strikes are solid brass. No. 013 "T" strike supplied as a standard or No. 014 "Full Lip" strike as an option. No. 019 4 7/8" ASA strike also available (**add \$15 to cost of latchset**). Specify when ordering.
- Critical interior parts are made of solid brass.
- For over fifty-five years OMNIA's latches have been opening and closing millions of doors all around the world.
- 28° rotation to retract latch.



Knob Latches

105KPA38:	2 3/8" backset, passage knob latch
105KPA34:	2 3/4" backset, passage knob latch
106KPR38:	2 3/8" backset, privacy knob latch
106KPR34:	2 3/4" backset, privacy knob latch

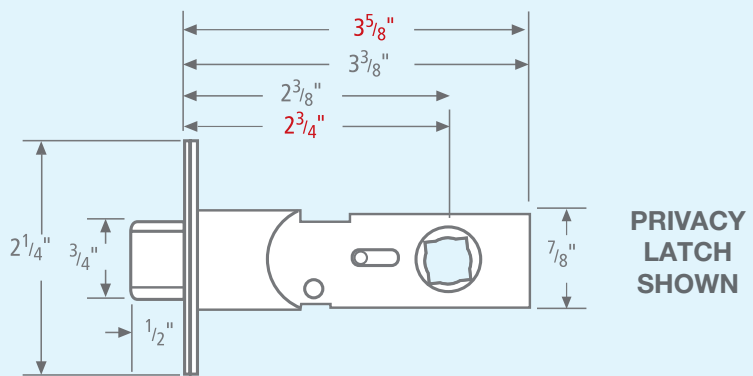
Lever Latches

105LPA38:	2 3/8" backset, passage lever latch
105LPA34:	2 3/4" backset, passage lever latch
106LPR38:	2 3/8" backset, privacy lever latch
106LPR34:	2 3/4" backset, privacy lever latch

The above part numbers should be used when ordering latch only. Specify finish of faceplate.

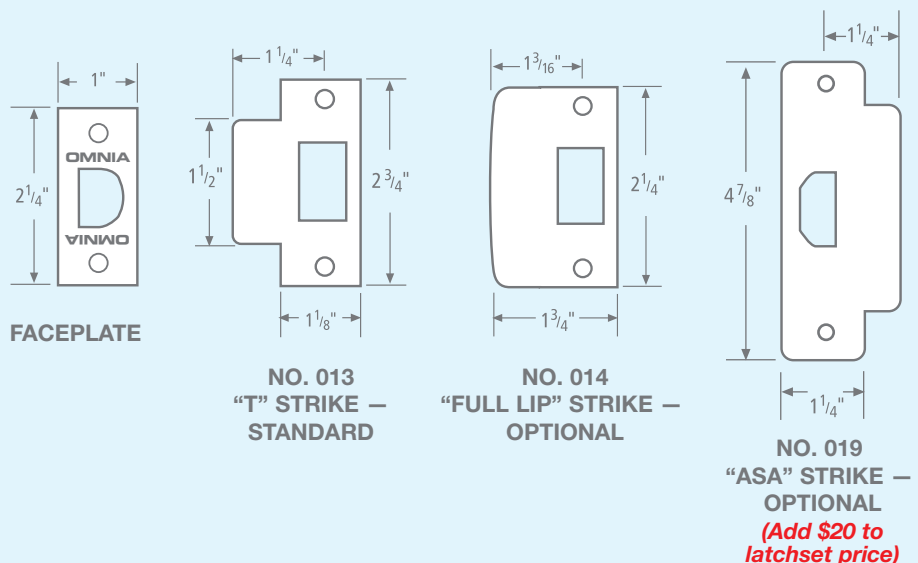


All OMNIA lever latchsets meet ADA accessibility requirements.



SPECIFY 2 3/8" OR 2 3/4" BACKSET.

DRAWINGS NOT TO SCALE



MODERN Latchsets Product Data

Functions

- **PA – Passage:** Latch operates by lever (or knob) from either side of door.
 - **PR – Privacy:** Latch operates by lever from either side of door. Push button on interior rose engages privacy; emergency release hole is on exterior rose. Turning inside lever will release privacy and retract latchbolt. For bathroom or bedroom.
 - **SD – Single Dummy:** Lever trim on one side of the door only. Surface mounted. For pair dummy, order two single dummies.
- (SEE PD & SD ILLUSTRATIONS ON PAGE 93)

Dummy applications not recommended for commercial use.

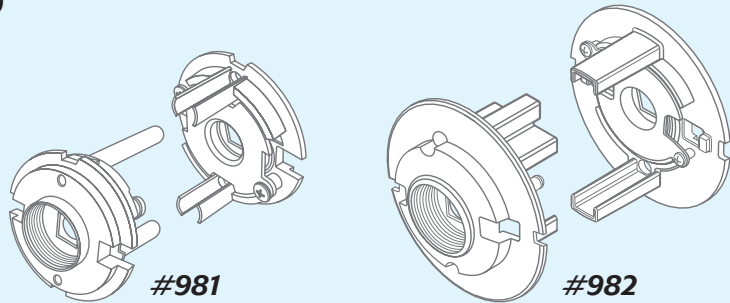
Latchset Components

- A – Door Knob/Lever (2)
- B – Set Screws (2)
- C – Nylon Threaded Washer (2)
- D – Finished Rose (2)
- Ea – Metal Spring Assist Sub-Rose
- Eb – Metal Spring Assist Sub-Rose
- F – Spindle (Teardrop groove positioned towards set screw)
- G – Tubular Latch
- H – Privacy Locking Block Machine Screw
- I – Privacy Locking Block Locking Stopper
- J – Privacy Locking Block
- K – Tubular Latch Faceplate
- L – Tubular Latch Strike Plate
- M – Tubular Latch Dust Box
- N – Thru-Bolt Machine Screws With Locking Washer (2)
- O – Privacy Locking Pin (For Privacy Only)
- P – Washer Installation Tool
- Q – Emergency Release Key

Sub-Rose Cassette Features

Metal sub-roses feature self-aligning thru-bolts. Spring-assisted outside and inside. Three spring tensions are available: Knob Strength, Lever Strength and Heavy Duty Lever Strength.

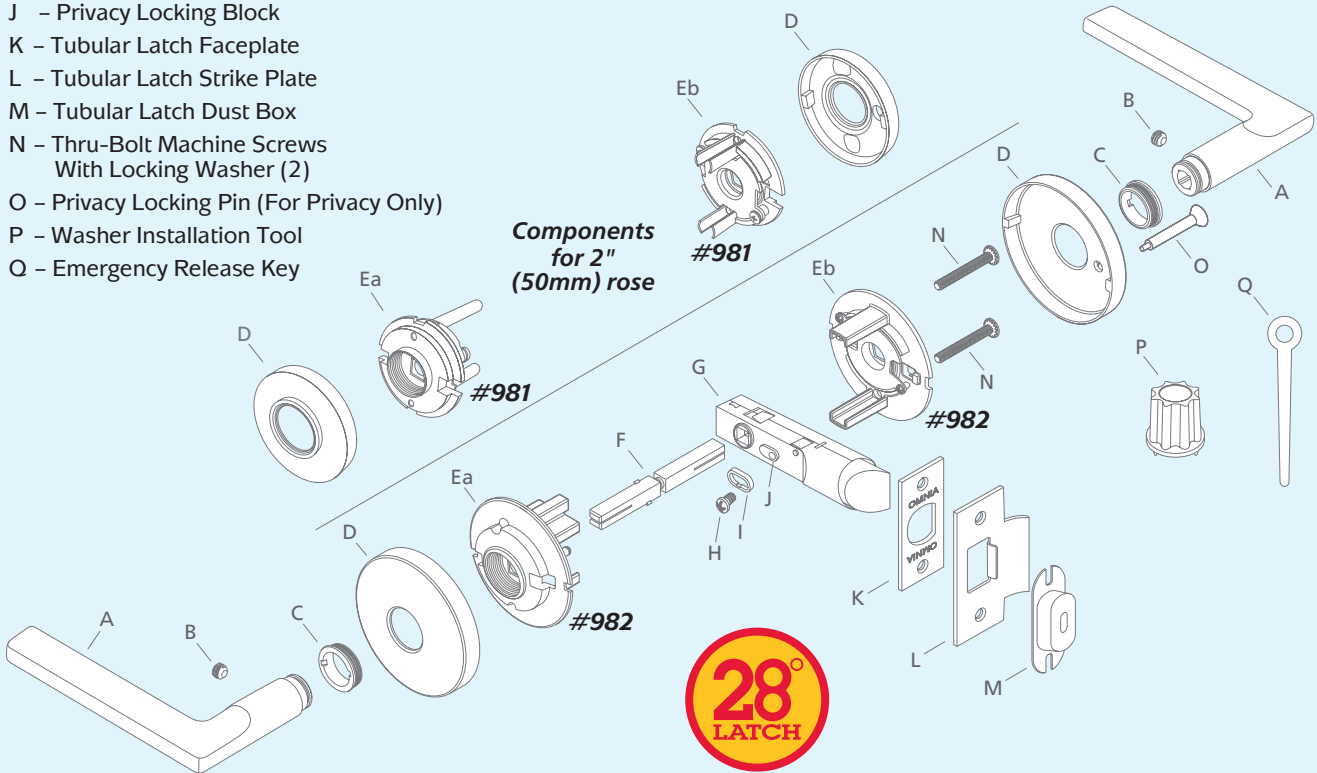
- #981/K Sub-Rose Cassette: Knob Strength Spring
- #981 Sub-Rose Cassette: Lever Strength Spring
- #982/K Sub-Rose Cassette: Knob Strength Spring
- #982 Sub-Rose Cassette: Lever Strength Spring
- #982/PD Sub-Rose Cassette: Pair Dummy



Component parts Ea and Eb as shown below for 2" (50mm) rose.

Component parts Ea and Eb as shown below.

DRAWINGS NOT TO SCALE



Components for 2" (50mm) rose



MODERN Latchsets Product Data

FOR PRODUCTS SHOWN ON PAGES 5-10.

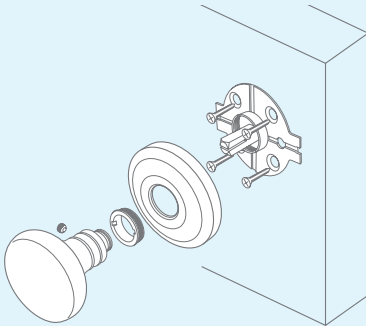
PRODUCT DATA

Roses

Single Dummy Rose

Surface Mounted, Concealed Screws

No screws are exposed. Shipped unassembled.

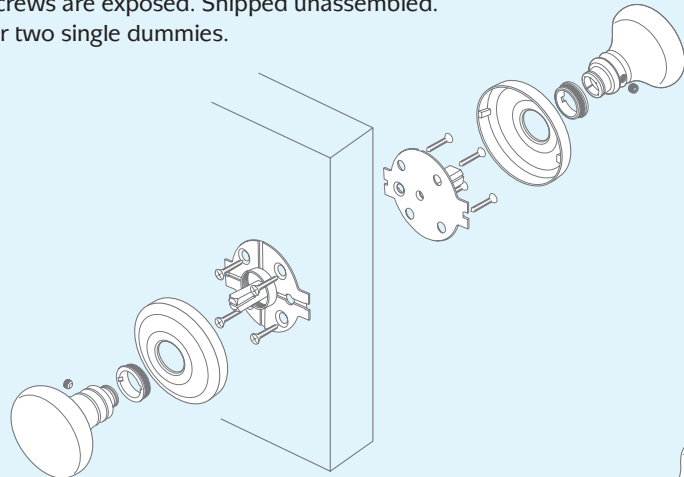


DRAWINGS NOT TO SCALE

Pair Dummy Rose Options

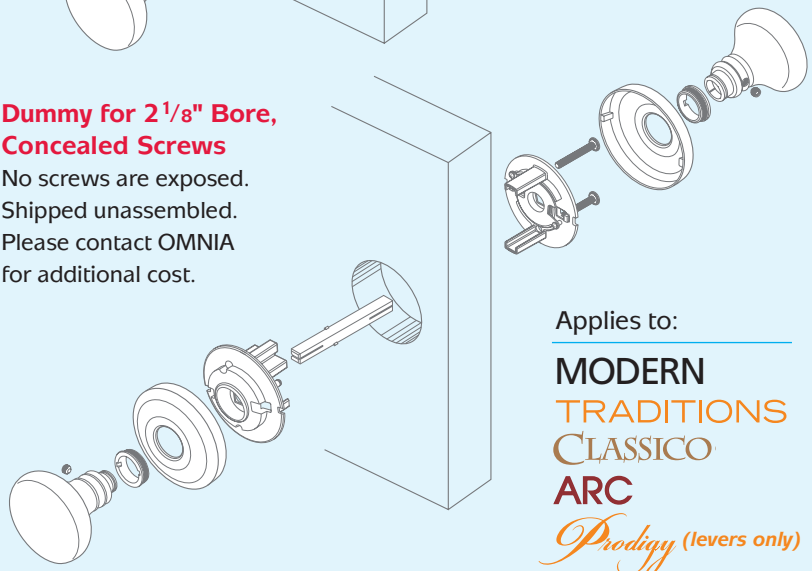
Surface Mounted, Concealed Screws

No screws are exposed. Shipped unassembled. Order two single dummies.



Dummy for 2 1/8" Bore, Concealed Screws

No screws are exposed. Shipped unassembled. Please contact OMNIA for additional cost.



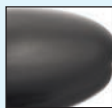
Applies to:

MODERN
TRADITIONS
CLASSICO
ARC
Prodigy (levers only)

FINISH CODES



3
Polished Brass, Lacquered



10B
Black, Oil-Rubbed, Lacquered



14
Polished Nickel Plated, Lacquered



15
Satin Nickel Plated, Lacquered



26
Polished Chrome Plated



26D
Satin Chrome Plated

How to Order Modern

EXAMPLE:

PASSAGE/PRIVACY

All sets shipped standard for 2 3/8" backset and 1 3/8" door thickness and T strike.

Design	Rose Option	Latch	Strike	Function	Finish
943	M	238	T	PA	15
Lever or Knob Item #	M = Round S = Square M50 = 2" Round S50 = 2" Square	238 = 2 3/8" Backset 234 = 2 3/4" Backset 0 = Single Dummy	T = "T" Strike F = Full Lip Strike	See Function Codes (Page 92)	See Finish Codes (Above)

Product order number would be **943M/238T.PA15** or **943M/0.SD15** for a single dummy.