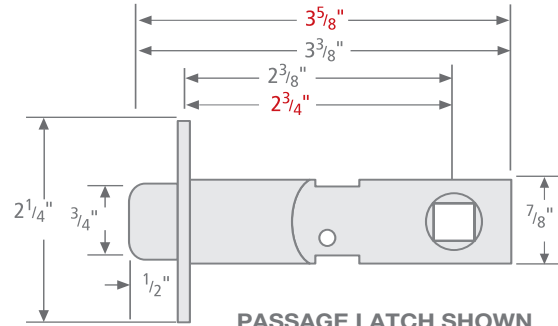


Knob and Lever Latchsets

- 2³/₈" (standard) and 2³/₄" backsets available.
- Supplied for 2³/₈" backset and 1³/₈" door thickness unless otherwise specified.
- Rose diameters: 3265 (reeded rose) = 2⁷/₈" dia.
4320 (floral rose) = 2⁹/₁₆" dia.
- All lever latchsets meet ADA accessibility requirements.

Each set consists of solid brass knobs or levers, thru-bolted rose mechanisms, finished rose covers, latch, strike, faceplate, spindle, all necessary mounting screws, installation template and instructions.



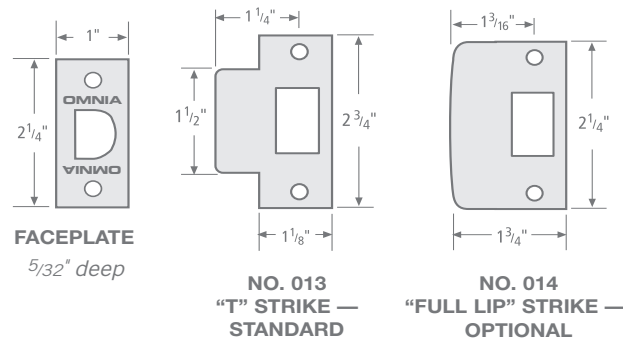
PASSAGE LATCH SHOWN
SPECIFY 2³/₈" OR 2³/₄" BACKSET.

About Our Tubular Latch

- 28° to retract latch rotation.
- Tough, non-rusting materials used throughout. Face covers and strikes are solid brass. No. 013 "T" strike supplied as a standard or No. 014 "Full Lip" strike as an option. Specify when ordering.

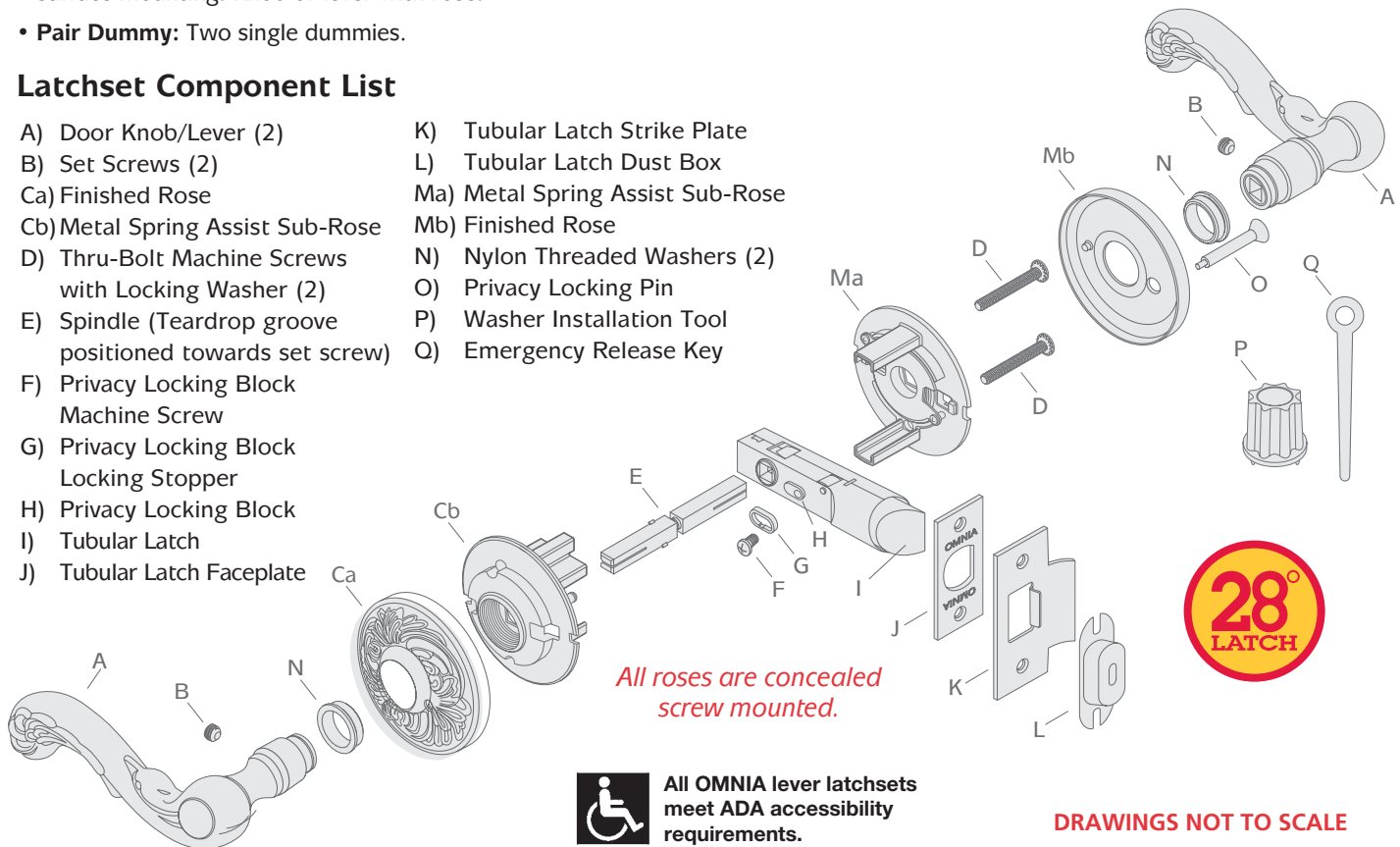
Functions

- **Passage:** Latch operates by knob or lever from either side of door.
- **Privacy:** Push pin provided for privacy inside room. Emergency release hole for outside room. Emergency release key also provided.
- **Single Dummy:** Trim on one side of door only. Available for surface mounting. Knob or lever with rose.
- **Pair Dummy:** Two single dummies.



Latchset Component List

- | | |
|---|----------------------------------|
| A) Door Knob/Lever (2) | K) Tubular Latch Strike Plate |
| B) Set Screws (2) | L) Tubular Latch Dust Box |
| Ca) Finished Rose | Ma) Metal Spring Assist Sub-Rose |
| Cb) Metal Spring Assist Sub-Rose | Mb) Finished Rose |
| D) Thru-Bolt Machine Screws with Locking Washer (2) | N) Nylon Threaded Washers (2) |
| E) Spindle (Teardrop groove positioned towards set screw) | O) Privacy Locking Pin |
| F) Privacy Locking Block Machine Screw | P) Washer Installation Tool |
| G) Privacy Locking Block Locking Stopper | Q) Emergency Release Key |
| H) Privacy Locking Block | |
| I) Tubular Latch | |
| J) Tubular Latch Faceplate | |



All roses are concealed screw mounted.



All OMNIA lever latchsets meet ADA accessibility requirements.

DRAWINGS NOT TO SCALE