


CLASSICO Latchsets Product Data

Knob & Lever Latchsets

- 2³/₈" (standard) and 2³/₄" backsets available.
- Supplied for 2³/₈" backset and 1³/₈" door thickness unless otherwise specified.
- Rose diameters:
3265 (reeded) = 2⁷/₈" dia.
4320 (floral) = 2⁹/₁₆" dia.
- All lever latchsets meet ADA accessibility requirements.
- Each set consists of solid brass knobs or levers, thru-bolted rose mechanisms, finished rose covers, latch, strike, faceplate, spindle, all necessary mounting screws, installation template and instructions.

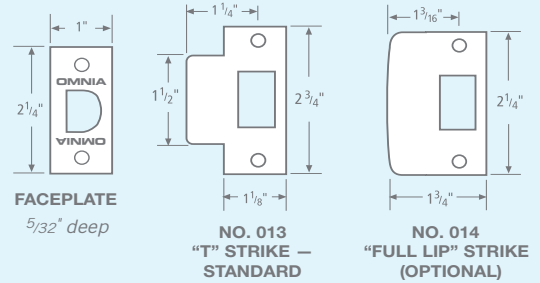
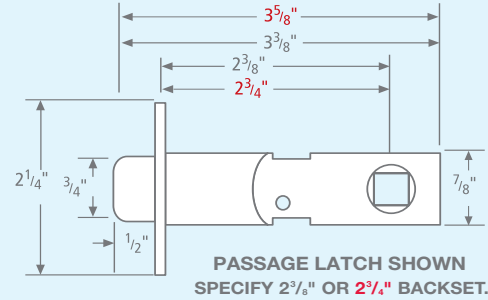
 All OMNIA lever latchsets meet ADA accessibility requirements.

Tubular Latch Features

- 28° to retract latch rotation.
- Tough, non-rusting materials used throughout. Face covers and strikes are solid brass. No. 013 "T" strike supplied as a standard or No. 014 "Full Lip" strike as an option. Specify when ordering.

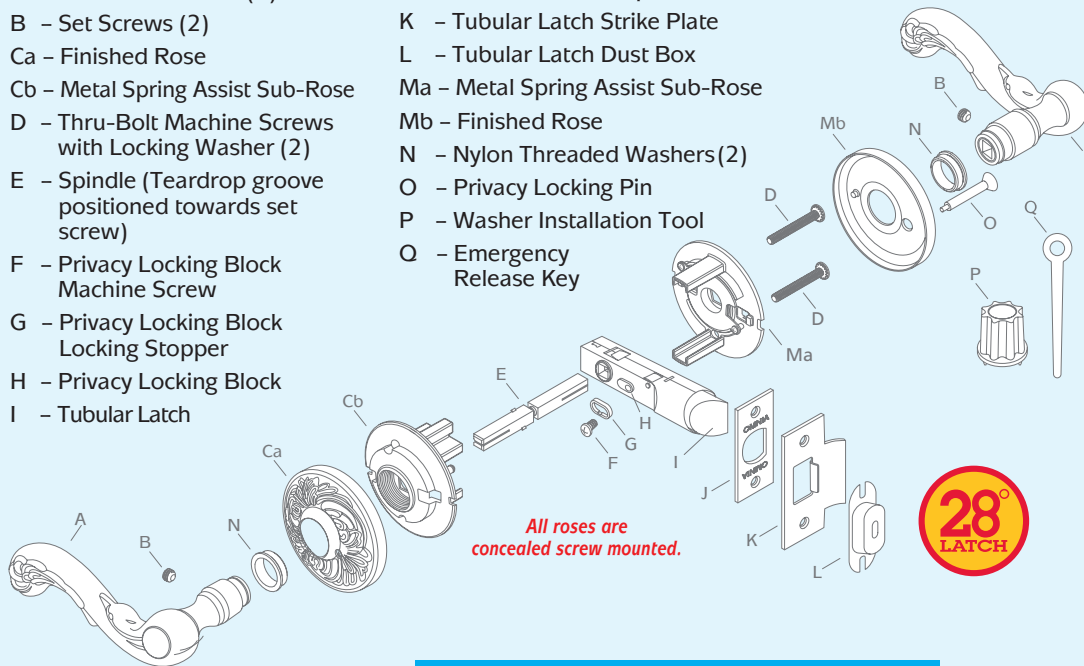
Functions

- **PA – Passage:** Latch operates by knob or lever from either side of door.
- **PR – Privacy:** Push pin provided for privacy inside room. Emergency release hole for outside room. Emergency release key also provided.
- **SD – Single Dummy:** Trim on one side of door only. Surface mounted. Knob or lever with rose. For pair dummy, order two single dummies.



Latchset Component List

- A – Door Knob/Lever (2)
- B – Set Screws (2)
- Ca – Finished Rose
- Cb – Metal Spring Assist Sub-Rose
- D – Thru-Bolt Machine Screws with Locking Washer (2)
- E – Spindle (Teardrop groove positioned towards set screw)
- F – Privacy Locking Block Machine Screw
- G – Privacy Locking Block Locking Stopper
- H – Privacy Locking Block
- I – Tubular Latch
- J – Tubular Latch Faceplate
- K – Tubular Latch Strike Plate
- L – Tubular Latch Dust Box
- Ma – Metal Spring Assist Sub-Rose
- Mb – Finished Rose
- N – Nylon Threaded Washers (2)
- O – Privacy Locking Pin
- P – Washer Installation Tool
- Q – Emergency Release Key



DRAWINGS NOT TO SCALE

FINISH CODES

- BAS**
Siena Brass, Lacquered
- BPS**
Venetian Nickel, Lacquered
- D**
Florentine Brass, Lacquered
- ETR**
Etruscan Bronze, Lacquered

How to Order Classico

EXAMPLE:

All sets shipped standard for 2³/₈" backset and 1³/₈" door thickness and T strike.

PASSAGE/PRIVACY

Design	Rose Option	Latch	Strike	Thickness	Function	Finish
251	FL /	238	T	38	PA	ETR
Lever or Knob Item #	FL = Floral RE = Reeded	238 = 2 ³ / ₈ " Backset 234 = 2 ³ / ₄ " Backset	T = "T" Strike F = Full Lip Strike	38 = 1 ³ / ₈ " 34 = 1 ¹ / ₄ "	See Function Codes (Above)	See Finish Codes (Above)

Product order number would be **251FL/238T38.PA.ETR** or **251FL/L.SD.ETR** for a single dummy.