

# ARC Latchsets Product Data

FOR PRODUCTS  
SHOWN ON  
PAGES 21-23.

PRODUCT DATA

## Knob & Lever Latchset

- 2 3/8" (standard) and 2 3/4" backsets available.
- Supplied for 1 3/8" door thickness as standard. The minimum door thickness is 1 1/4"; the maximum door thickness is 2 1/2" (please specify).
- All lever latchsets meet ADA accessibility requirements.

Each set consists of solid brass knobs or levers, concealed screw finished roses, metal thru-bolting spring-assisted rose cassette, latch, strike, dust box, faceplate, spindle, all necessary mounting screws, installation template and instructions.

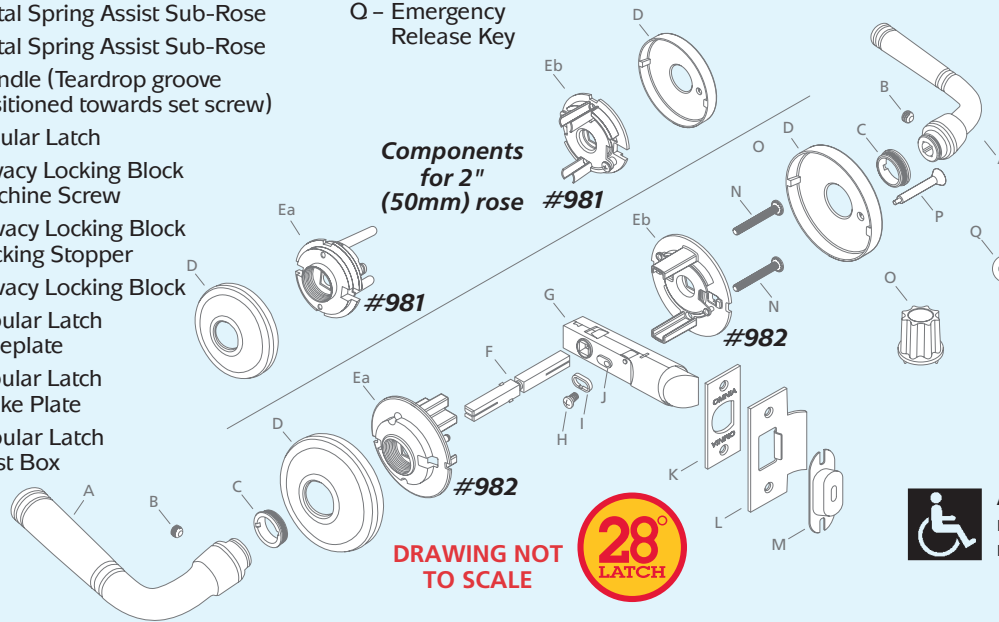


Latchsets with any of the smaller roses are available with a push-button privacy function just like the larger roses.

## Latchset Component List

- A – Door Knob/Lever (2)
- B – Set Screw (2)
- C – Nylon Threaded Washer (2)
- D – Finished Rose (2)
- Ea – Metal Spring Assist Sub-Rose
- Eb – Metal Spring Assist Sub-Rose
- F – Spindle (Teardrop groove positioned towards set screw)
- G – Tubular Latch
- H – Privacy Locking Block Machine Screw
- I – Privacy Locking Block Locking Stopper
- J – Privacy Locking Block
- K – Tubular Latch Faceplate
- L – Tubular Latch Strike Plate
- M – Tubular Latch Dust Box

- N – Thru-Bolt Machine Screws With Locking Washer (2)
- O – Washer Installation Tool
- P – Privacy Locking Pin (Privacy ONLY)
- Q – Emergency Release Key



## Tubular Latch Features

- 28° rotation to retract latch.
- Tough, non-rusting materials used throughout. Face covers and strikes are solid brass. No.013 "T" strike supplied as standard or No.014 "Full Lip" strike as an option. (Please specify.)
- Critical interior parts are made of solid brass.
- For over five decades, OMNIA's latches have been opening and closing millions of doors all around the world.

## Functions

- **PA – Passage:** Latch operates by knob or lever from either side of door.
- **PR – Privacy:** Push pin provided for privacy inside room. Emergency release hole for outside room. Emergency release key also provided.
- **SD – Single Dummy:** Trim on one side of door only. Concealed screw roses for surface mounting. Knob or lever with rose. For pair dummy, order two single dummies.

## FINISH CODES

-  **3** Polished Brass, Lacquered
-  **3A** Polished Brass, Unlacquered
-  **4** Satin Brass, Lacquered
-  **5** Antique Brass, Lacquered
-  **10B** Black, Oil-Rubbed Lacquered
-  **14** Polished Nickel Plated, Lacquered
-  **15** Satin Nickel Plated, Lacquered
-  **26** Polished Chrome Plated

**SMALL ROSES WILL NOT FIT 2 1/8" BORE.**

**ALL ROSES ARE CONCEALED SCREW MOUNTED.**



All OMNIA lever latchsets meet ADA accessibility requirements.

## How to Order ARC

### EXAMPLE:

All sets shipped standard for 2 3/8" backset and 1 3/8" door thickness and T strike.

### PASSAGE/PRIVACY

Design	Rose Option	Rose Size	Latch	Strike	Function	Finish
<b>751</b>	<b>ML</b>	<b>50</b>	<b>238</b>	<b>F</b>	<b>PA</b>	<b>15</b>
Lever or Knob Item#	BD = Beaded ED = Edged ML = Milled	50 = 50 mm 67 = 67 mm	238 = 2 3/8" Backset 234 = 2 3/4" Backset 0 = Single Dummy	T = "T" Strike F = Full Lip Strike	See Function Codes (Above)	See Finish Codes (Above)

Product order number would be **751ML50/238F.PA15** or **751ML50/0.SD15** for a single dummy.