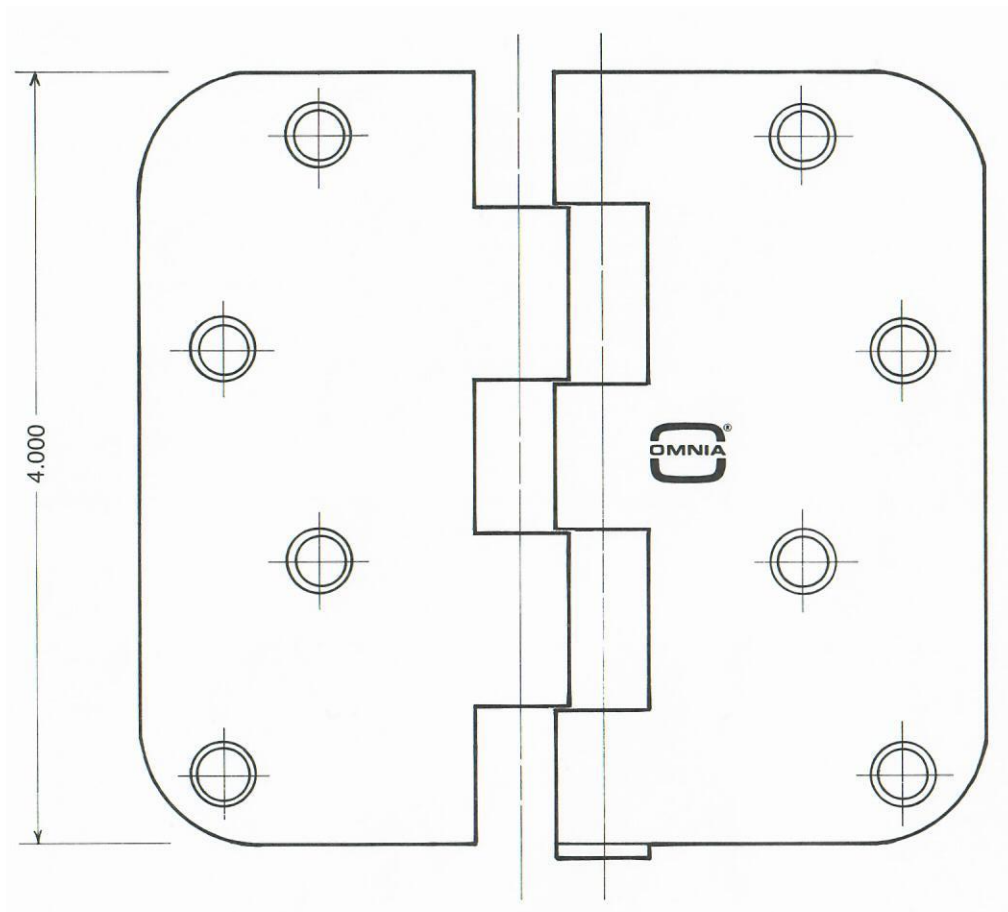
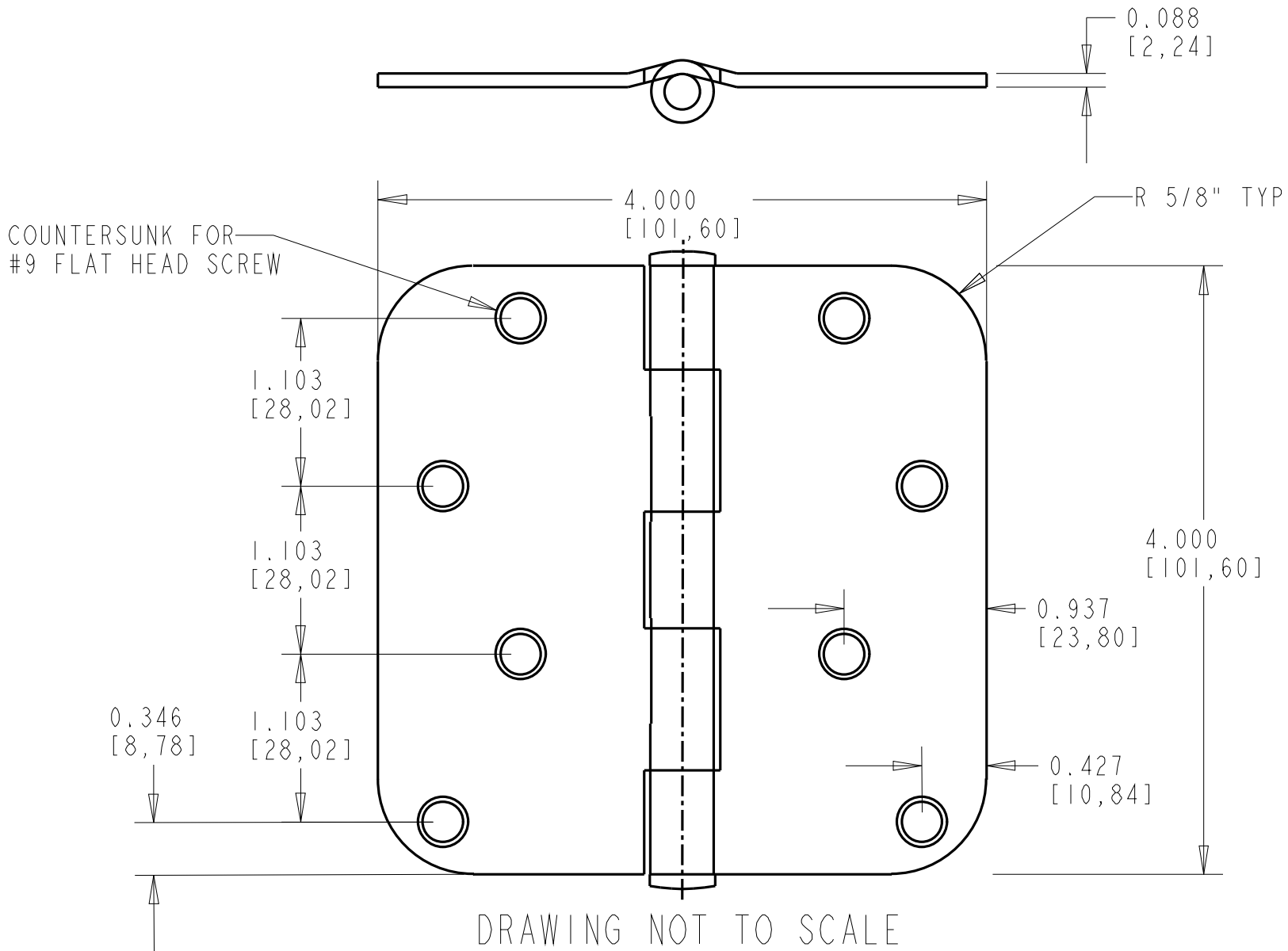


INSTALLATION TEMPLATE FOR OMNIA 4" RADIUS HINGE

NOTE: Template may not be true-to-size.
Please use for reference purposes only.
Do NOT drill until measurements are verified.



985R/4
w/ 5/8" radius corner



DIMENSIONS IN INCHES AND [mm] SHOWN ARE NOMINAL AND SUBJECT TO CHANGE.

OMNIA
985R/4

4" x 4" 5/8" RADIUS HINGE