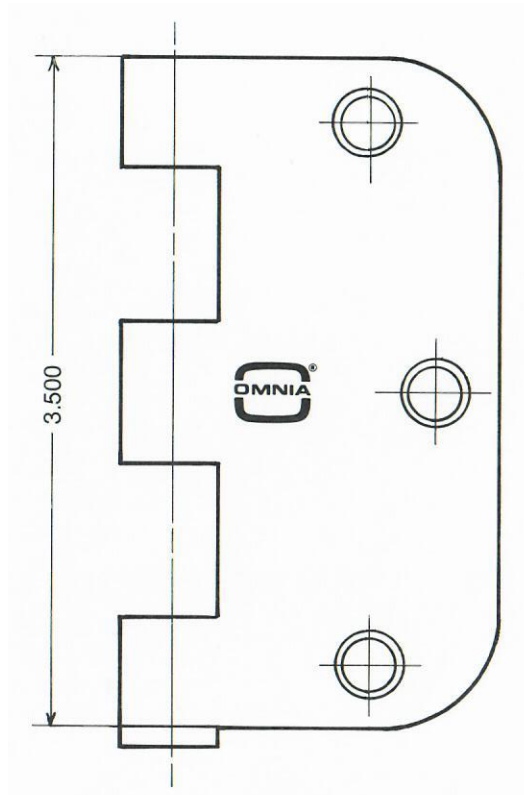
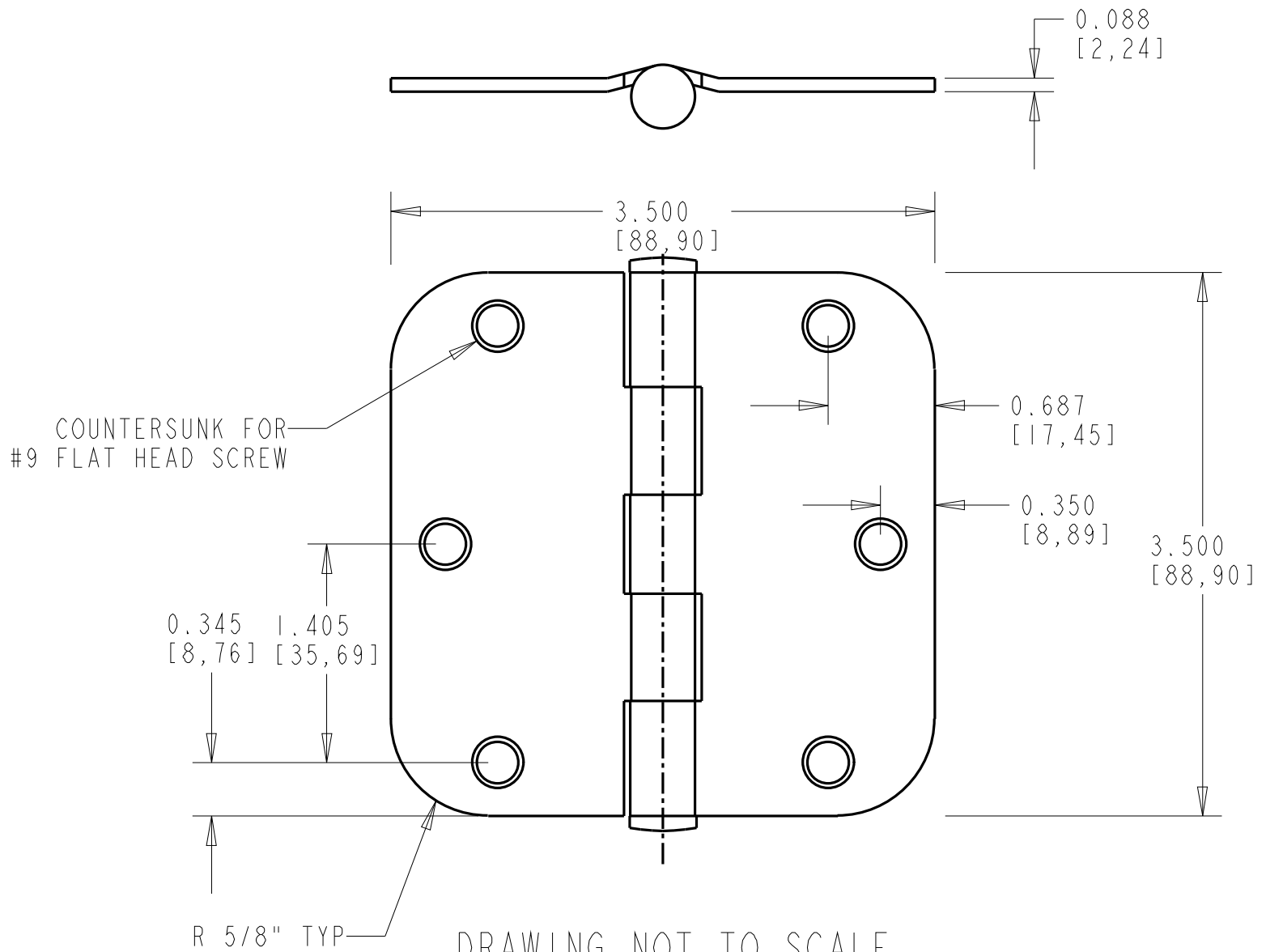


INSTALLATION TEMPLATE FOR OMNIA 3.5" RADIUS HINGE

NOTE: Template may not be true-to-size.
Please use for reference purposes only.
Do NOT drill until measurements are verified.



985R/35
w/ $\frac{5}{8}$ " radius corner



DIMENSIONS IN INCHES AND [mm] SHOWN ARE NOMINAL AND SUBJECT TO CHANGE.

OMNIA
985R/35

3-1/2" x 3-1/2" 5/8" RADIUS HINGE