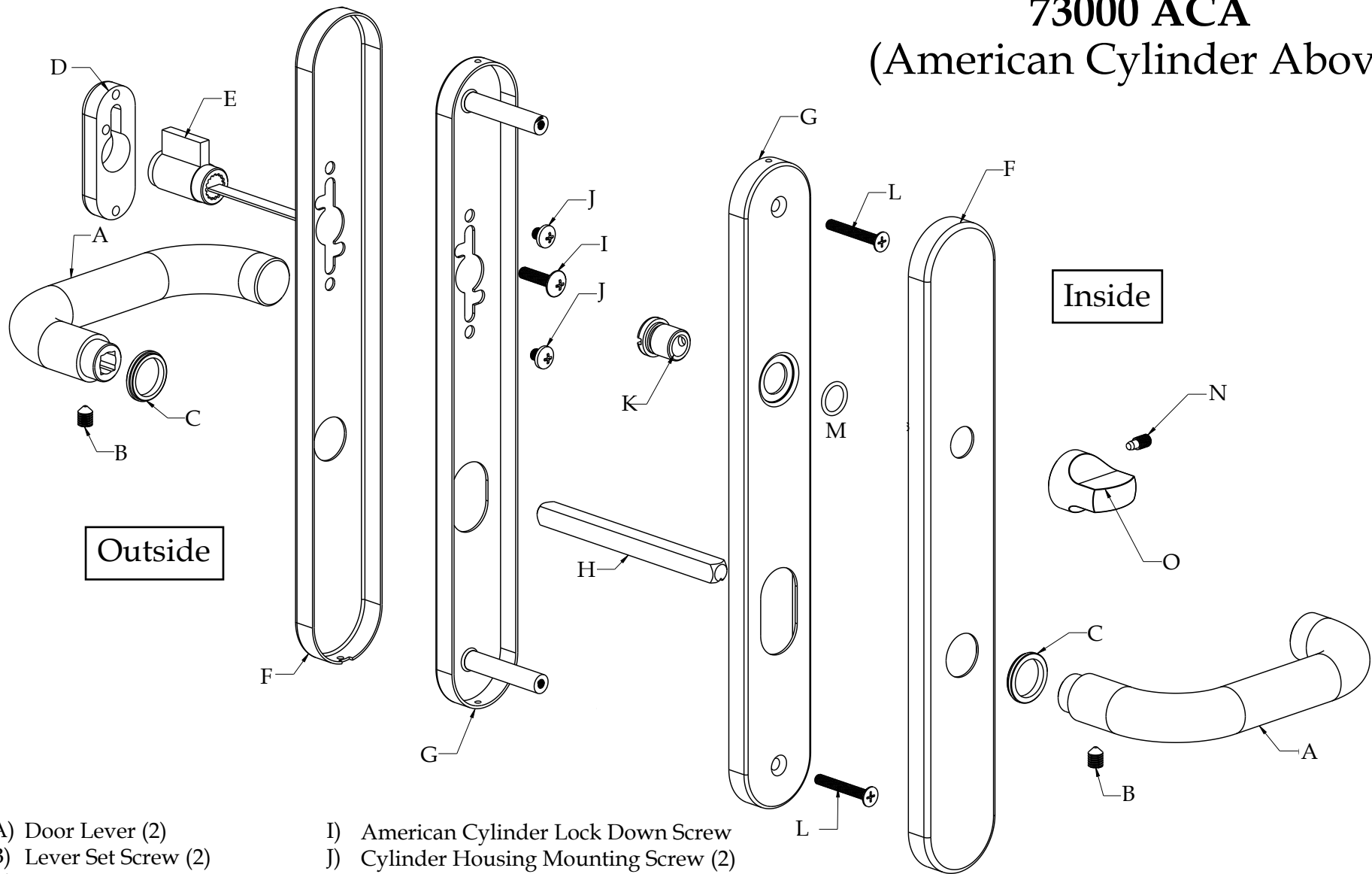
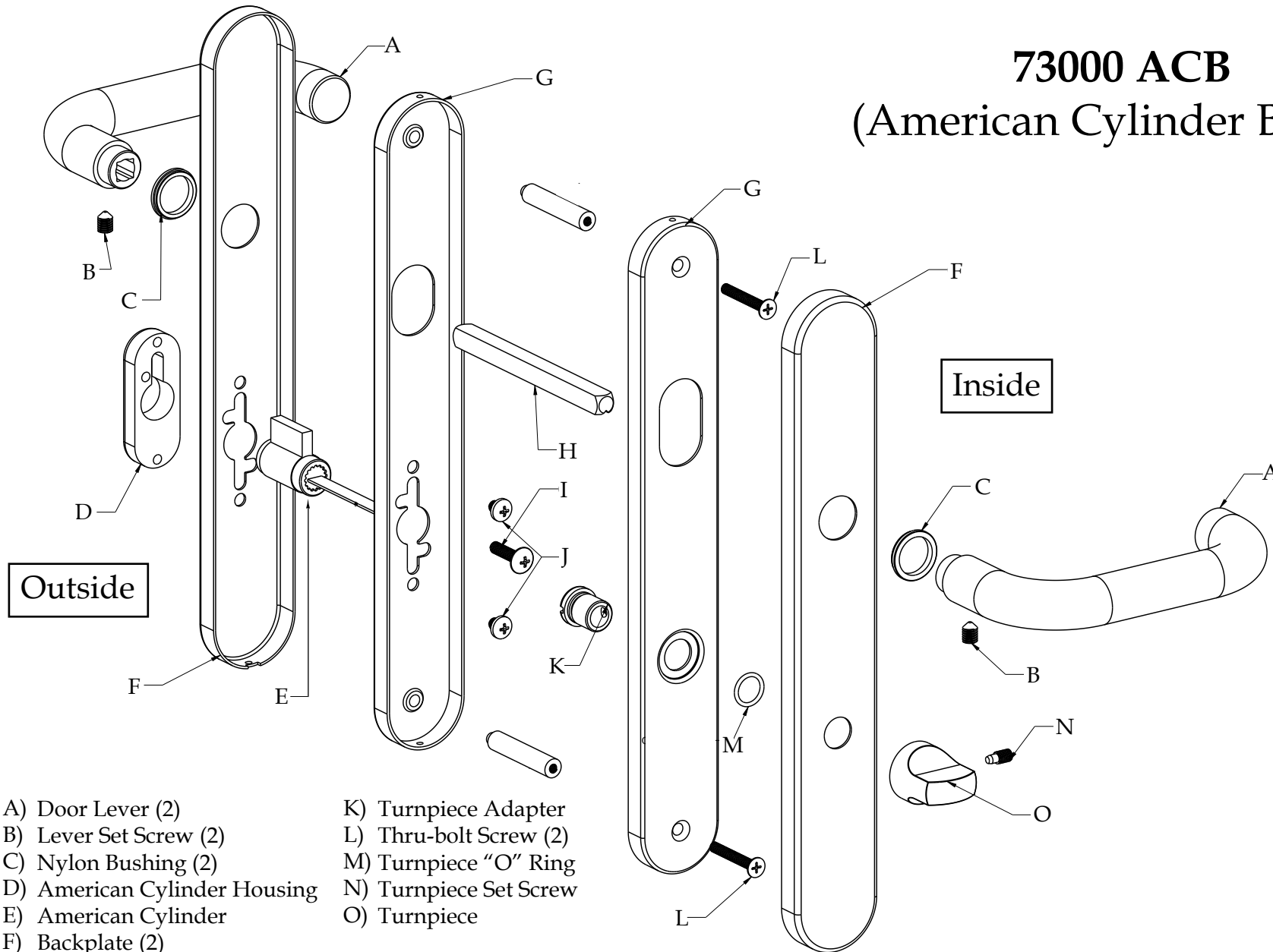


73000 ACA (American Cylinder Above)



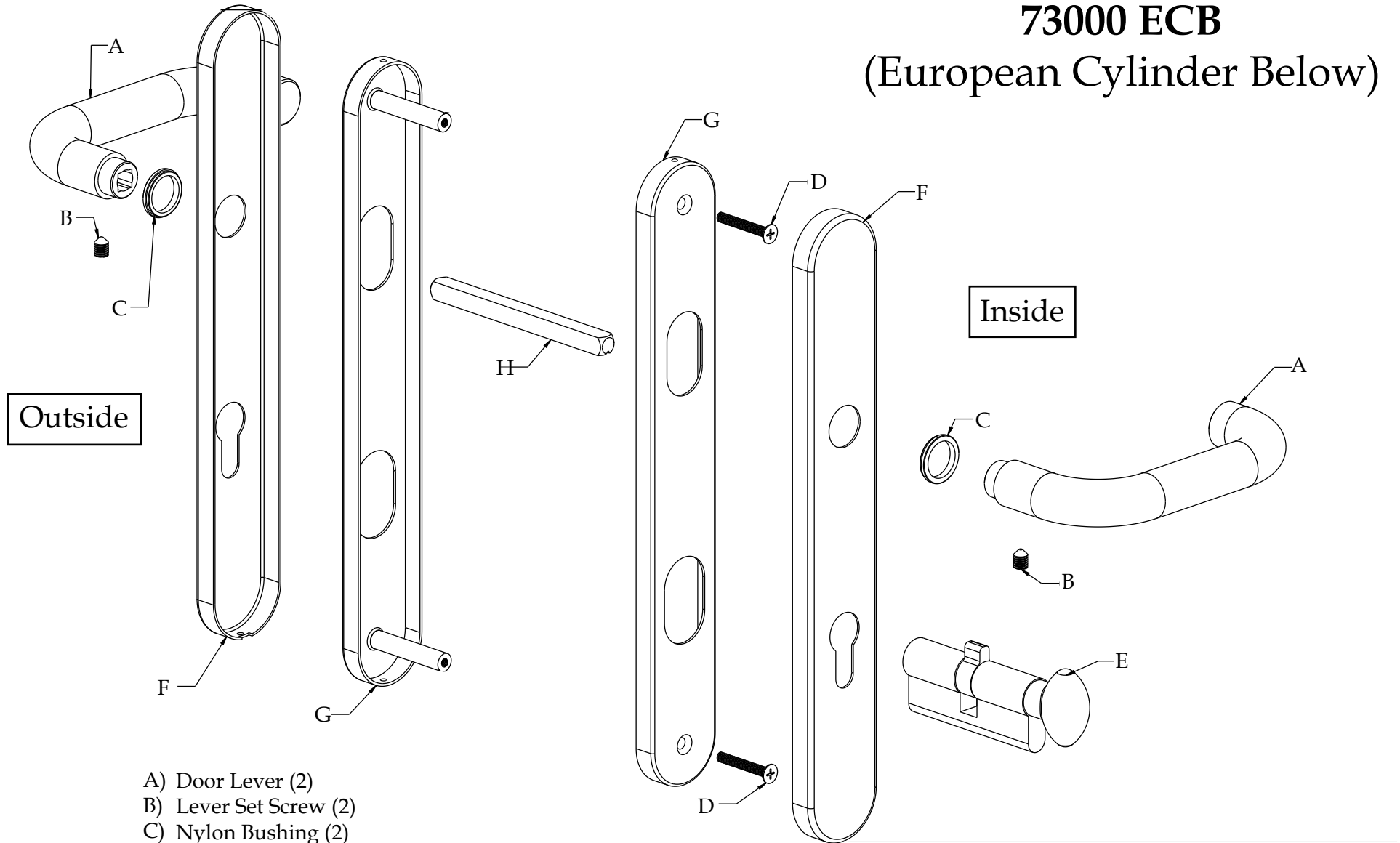
- | | |
|------------------------------|--|
| A) Door Lever (2) | I) American Cylinder Lock Down Screw |
| B) Lever Set Screw (2) | J) Cylinder Housing Mounting Screw (2) |
| C) Nylon Bushing (2) | K) Turnpiece Adapter |
| D) American Cylinder Housing | L) Thru-bolt Screw (2) |
| E) American Cylinder | M) Turnpiece "O" Ring |
| F) Backplate (2) | N) Turnpiece Set Screw |
| G) Sub-plate (2) | O) Turnpiece |
| H) Spindle | |

73000 ACB (American Cylinder Below)



- A) Door Lever (2)
- B) Lever Set Screw (2)
- C) Nylon Bushing (2)
- D) American Cylinder Housing
- E) American Cylinder
- F) Backplate (2)
- G) Sub-plate (2)
- H) Spindle
- I) American Cylinder Lock Down Screw
- J) Cylinder Housing Mounting Screw (2)
- K) Turnpiece Adapter
- L) Thru-bolt Screw (2)
- M) Turnpiece "O" Ring
- N) Turnpiece Set Screw
- O) Turnpiece

73000 ECB (European Cylinder Below)



- A) Door Lever (2)
- B) Lever Set Screw (2)
- C) Nylon Bushing (2)
- D) Thru-bolt Screws (2)
- E) Euro Profile Cylinder
- F) Backplate (2)
- G) Sub-plate (2)
- H) Spindle