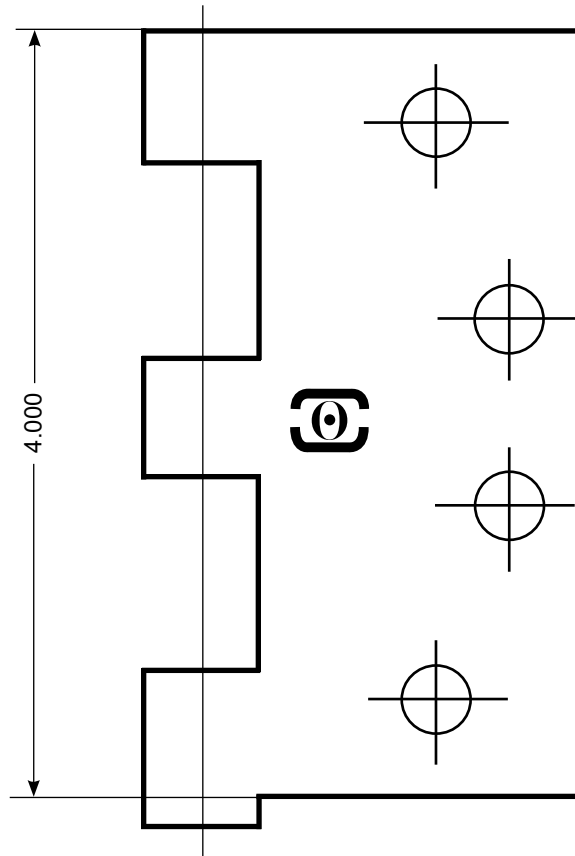


INSTALLATION TEMPLATE FOR OMNIA 4" HINGES

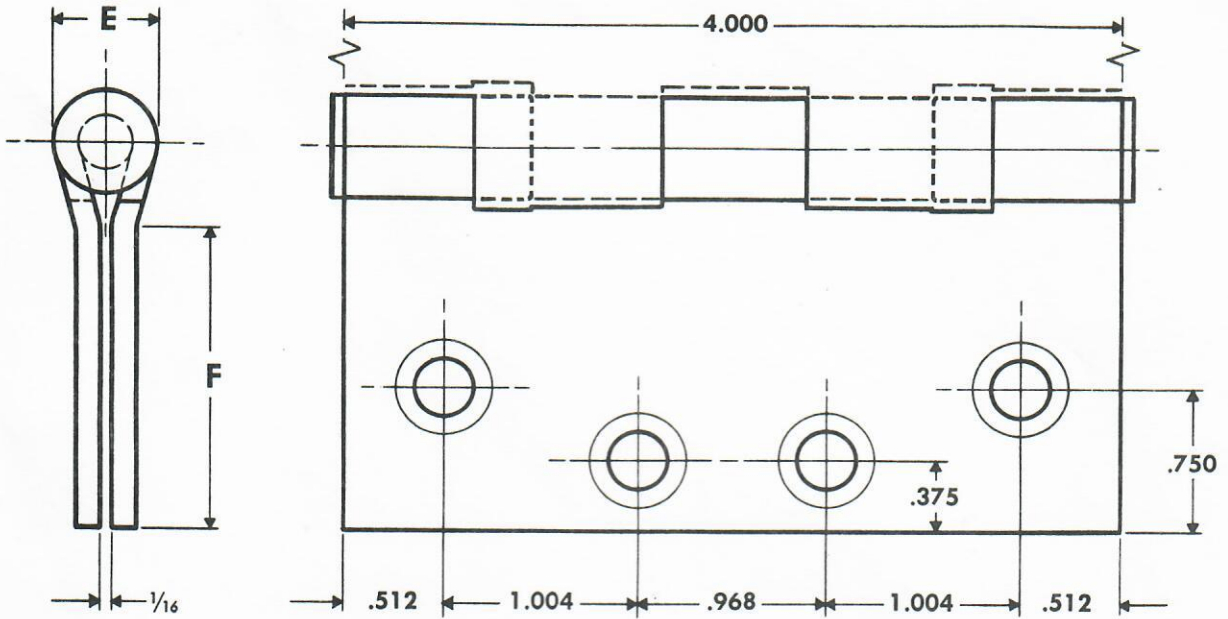
NOTE: Template may not be true-to-size.
Please use for reference purposes only.
Do NOT drill until measurements are verified.



985BB/4 & 985/4

OMNIA

985/4 & 985BB/4



DO NOT SCALE

Gauge of Metal	(E) Outside Diameter	(F) Distance from Edge of Leaf to Swage Line
.130	.590	1-5/8"

Machine Screw Size — $\frac{1}{2}$ x 12-24 F.H.

Wood Screw Size — $1\frac{1}{4}$ x No. 12 F.H.