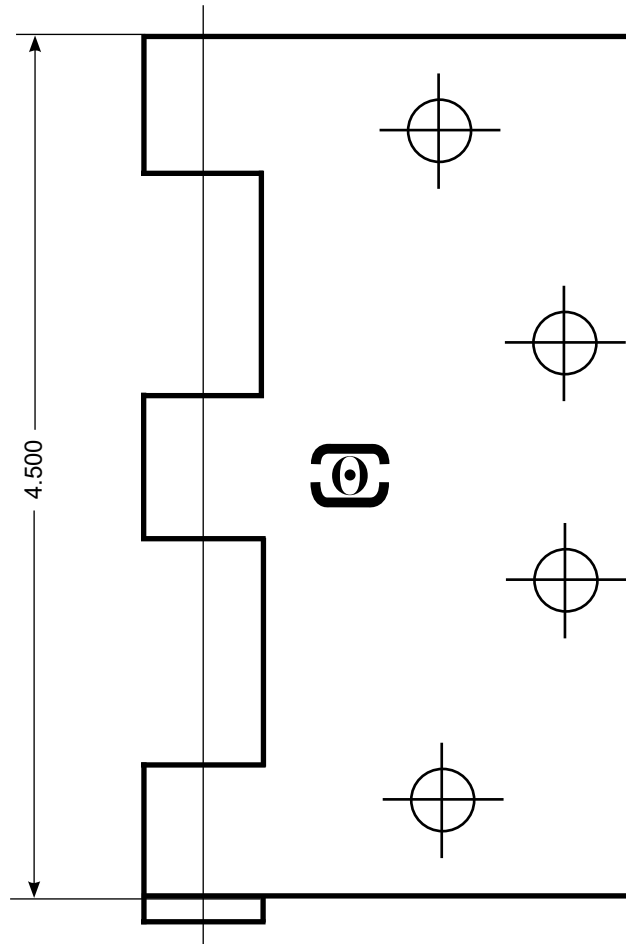


INSTALLATION TEMPLATE FOR OMNIA 4.5" HINGES

NOTE: Template may not be true-to-size.
Please use for reference purposes only.
Do NOT drill until measurements are verified.



985BB/45 & 985/45