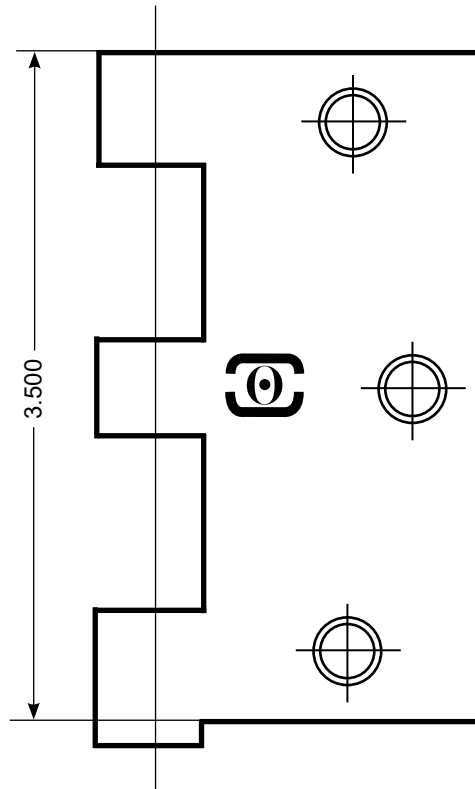


INSTALLATION TEMPLATE FOR OMNIA 3.5" HINGE

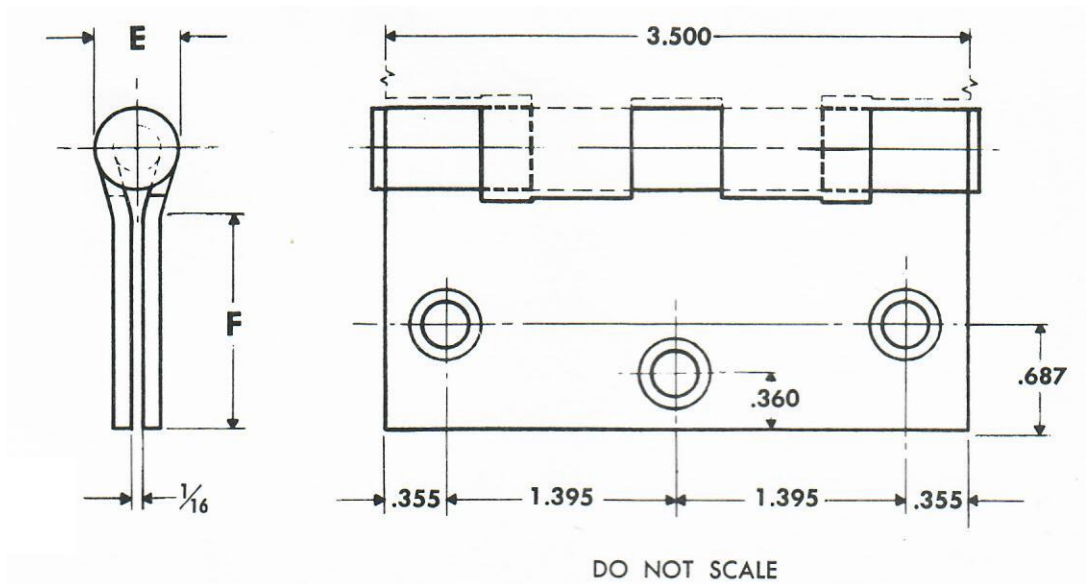
NOTE: Template may not be true-to-size.
Please use for reference purposes only.
Do NOT drill until measurements are verified.



985/35

OMNIA

985/35



Gauge of Metal	(E) Outside Diameter	(F) Distance from Edge of Leaf to Swage Line
.123	.590	1-3/8"

Machine Screw Size — 1/2 x 10-24 F.H.
Wood Screw Size — 1 x No. 10 F.H.