

# 8600 Series Features

**The E-OMNIA 8600 Series of Digital Smart Locks** offers great control of who can access your home, and when. Easily manage access for family, houseguests, pet sitters and workers without the need to share a key. Do you often climb into bed and forget if you locked up? Don't get up, the 8600 Series allows you to lock your door via the Tuya Smart app on your smart phone from where you are.

## Energy-Saving.

Powered by 4 AA batteries that are hidden within the interior plate. Typically, batteries can last for over 7 months of use.



## Anti-Peep Keypad.

Add random digits to protect your password from prying eyes on the easy-to-use backlit pad.




## Phone Connectivity.

Download the Tuya Smart app for Android or iOS and connect your smart lock to your smart phone via standard Bluetooth.



## Built Tough.

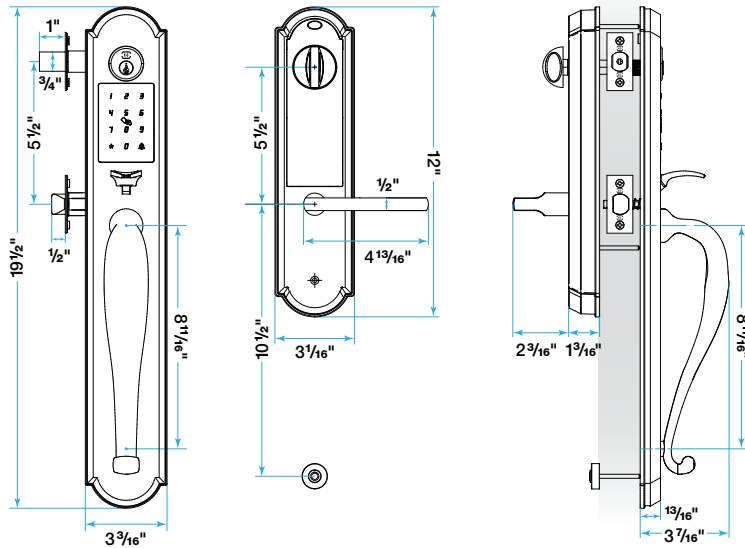
-  IP65 Waterproof & Dustproof
-  Working Temperature -4°F to 158°F
-  Antioxidized Surface
-  Salt Spray Tested 90-120 Hours
-  Prying-resistant Trigger
-  Premium Zinc Alloy Material
-  Easy-to-install Parts

## Emergency? You're Covered.

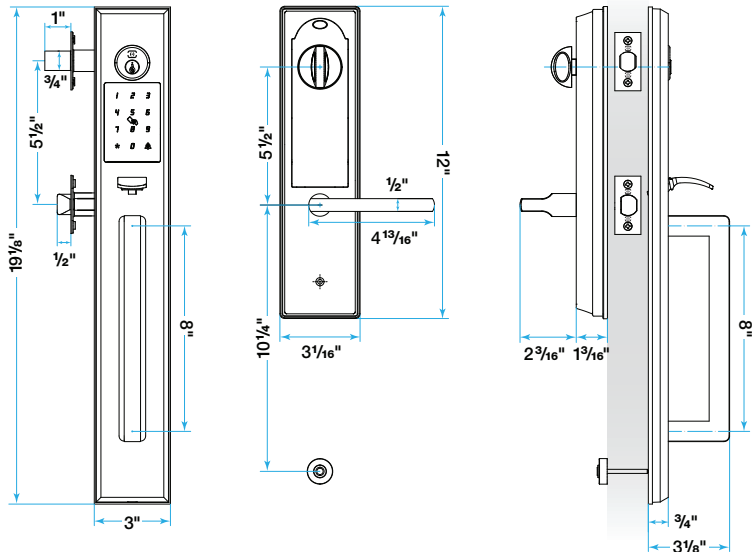
Forgot code? Each digital handle set in the 8600 Series comes with an emergency key fob and (2) two keys for back-up access.



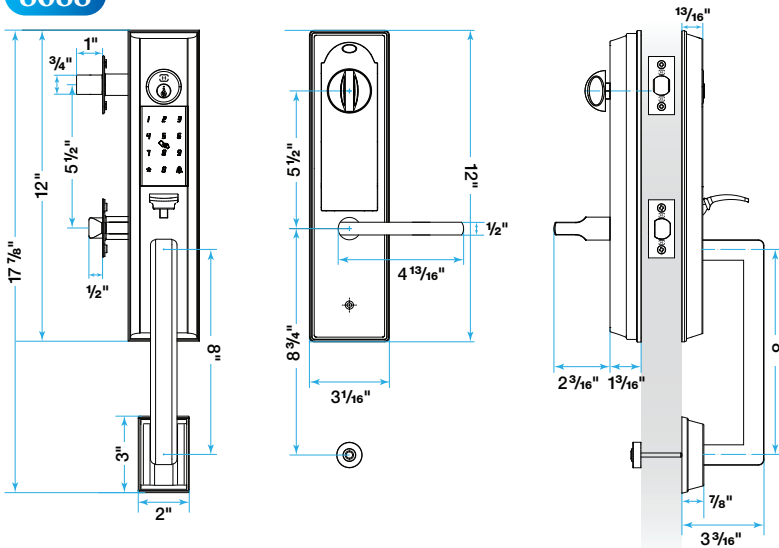
## 8668



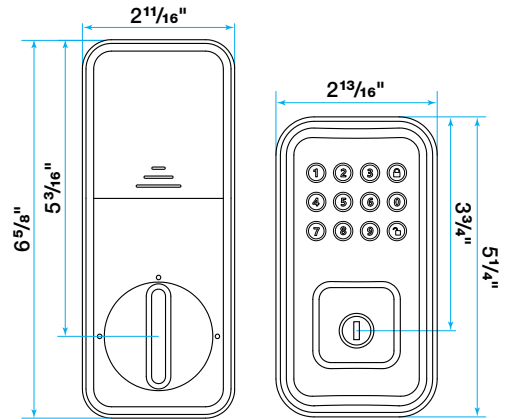
## 8669



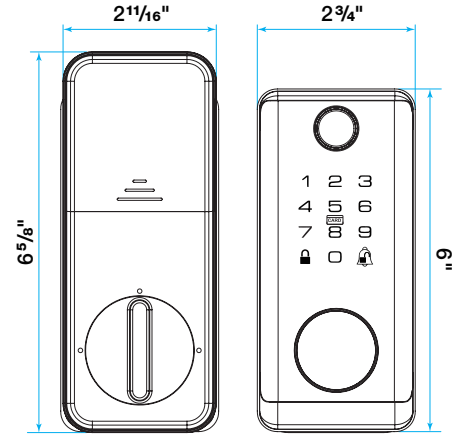
## 8688



## 3111



## 3112



### Left / Right Door Handing

When ordering the 8600 series Wave lever, please specify handing **LH** (left hand), **RH** (right hand), **LHR** (left hand reverse), or **RHR** (right hand reverse).

