

COMNIA

2025 Electronic Door Locks



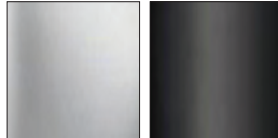
Smart Locks
Redefined.

Introducing **COMNIA**

Stylishly
smart.



AVAILABLE COLORS:



Pearl Nickel Matte Black

8668

Digital Handleset

With a silky-to-the-touch feel and elegantly arched top and bottom edges, this single-cylinder, full-plate, smart handleset features a tempered glass keypad, backlit to see day or night. It's easy to install, and powered by (4) AA batteries that typically last for several months. A USB Type-C port is located at its bottom edge for emergency power.

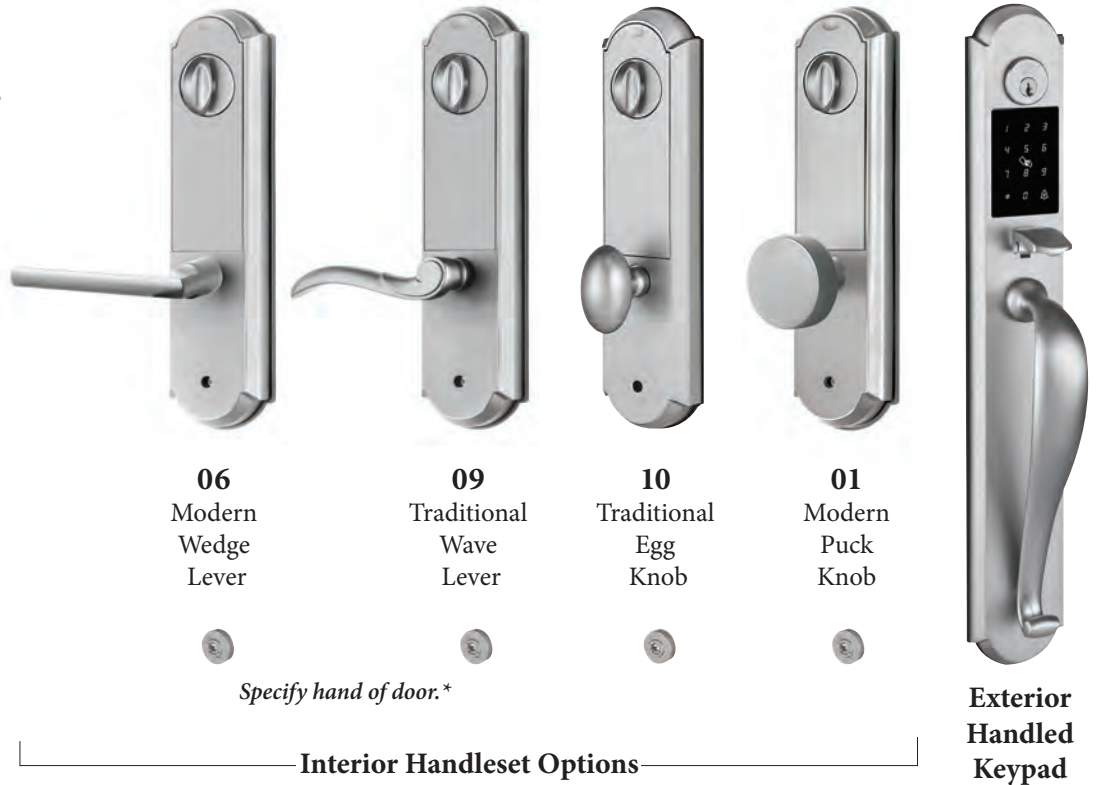
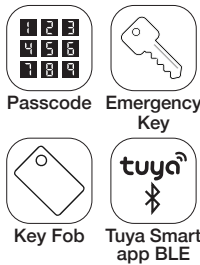


Active Set (A) Single Cylinder **\$905 List Price**
 Pair Dummy Set (PD) Inactive **\$820 List Price**

Features

- Illuminated keypad
- Uses 4-AA batteries (included)
- USB-C port for emergency power
- Low battery indicator
- A bridge will enable remote capability
- Rubber gasket for weathertight seal

Lock/Unlock Options



06 Modern Wedge Lever
09 Traditional Wave Lever
10 Traditional Egg Knob
01 Modern Puck Knob

*Specify hand of door.**

Interior Handleset Options

Exterior Handled Keypad

*Specify R/L handing.
 See diagram on page 11.



Stylishly
convenient.

AVAILABLE COLORS:



Pearl Nickel Matte Black

8669

Digital Handleset

Modern flat edges and squared corners define this single-cylinder, full-plate, smart handleset that features a tempered glass keypad, backlit to see day or night. It's easy to install, and powered by (4) AA batteries that typically last for several months. A USB Type-C port is located at its bottom edge for emergency power.

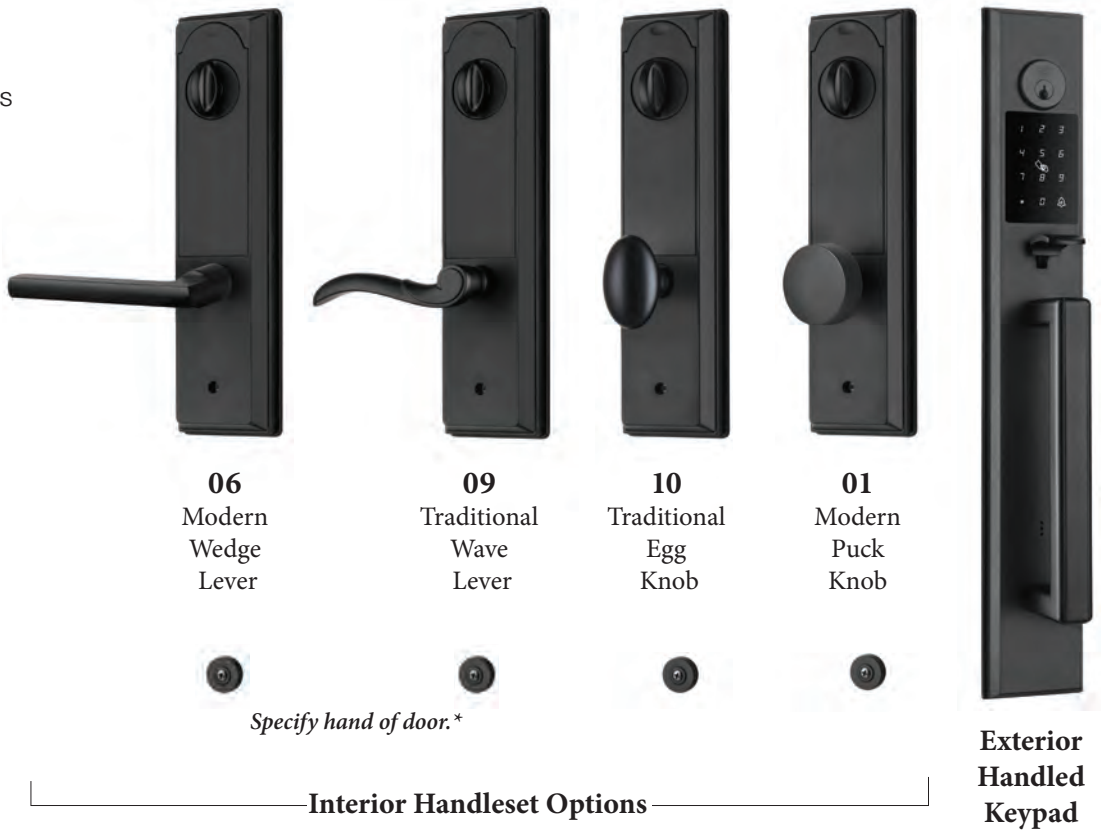
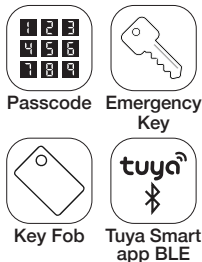


Active Set (A) Single Cylinder **\$905 List Price**
 Pair Dummy Set (PD) Inactive **\$820 List Price**

Features

- Illuminated keypad
- Uses 4-AA batteries (included)
- USB-C port for emergency power
- Low battery indicator
- A bridge will enable remote capability
- Rubber gasket for weathertight seal

Lock/Unlock Options



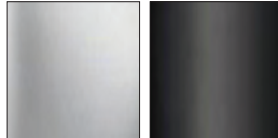
*Specify hand of door.**

*Specify R/L handing.
 See diagram on page 11.



Stylishly
secure.

AVAILABLE COLORS:



Pearl Nickel Matte Black

8688

Digital Handleset

This single-cylinder smart handleset features a half-plate design with an anti-peep tactile keypad that is made of tempered glass, backlit to see day or night. It's easy to install, and powered by (4) AA batteries that typically last for several months. A USB Type-C port is located at its bottom edge for emergency power.

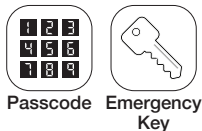


Active Set (A) Single Cylinder **\$905 List Price**
 Pair Dummy Set (PD) Inactive **\$820 List Price**

Features

- Illuminated keypad
- Uses 4-AA batteries (included)
- USB-C port for emergency power
- Low battery indicator
- A bridge will enable remote capability
- Rubber gasket for weathertight seal

Lock/Unlock Options



06
Modern
Wedge
Lever

09
Traditional
Wave
Lever

10
Traditional
Egg
Knob

01
Modern
Puck
Knob

**Exterior
Handled
Keypad**

Specify hand of door.*

Interior Handleset Options

*Specify R/L handing.
 See diagram on page 11.

Easy come.
Easy go.



3111

Electronic Deadbolt with Push Button Keypad

This electronic deadbolt lock offers entry via a 4-9 digit passcode via a silicon keypad. Classic smooth lines make it a great fit for any decor.

\$205 List Price

Features

- Illuminated numbers
- Uses 4-AA batteries (included)
- USB-C port for emergency power
- Low battery indicator
- A bridge will enable remote capability



Lock/ Unlock Options



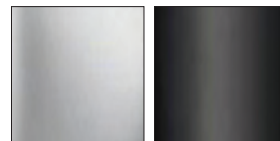
Passcode



Emergency
Key



AVAILABLE COLORS:



Pearl Nickel Matte Black



AVAILABLE COLORS:



Pearl Nickel

Matte Black

Features

- Illuminated keypad
- Uses 4-AA batteries (included)
- USB-C port for emergency power
- Low battery indicator
- Remote access via Tuya Smart app



Lock/Unlock Options



Key Fob



Passcode



Fingerprint

3112

Electronic Deadbolt with Keypad & Fingerprint

This digital deadbolt lock with a smooth, high-grade, ABS keypad offers entry via a 4-9-digit passcode, or by a fingerprint match. Its simple understated design makes it a great fit for any living or office environment.

\$295 List Price



Bye bye, keys.

8600 Series Features

The E-OMNIA 8600 Series of Digital Smart Locks offers great control of who can access your home, and when. Easily manage access for family, houseguests, pet sitters and workers without the need to share a key. Do you often climb into bed and forget if you locked up? Don't get up, the 8600 Series allows you to lock your door via the Tuya Smart app on your smart phone from where you are.

Energy-Saving.

Powered by 4 AA batteries that are hidden within the interior plate. Typically, batteries can last for over 7 months of use.



Anti-Peep Keypad.

Add random digits to protect your password from prying eyes on the easy-to-use backlit pad.




Phone Connectivity.

Download the Tuya Smart app for Android or iOS and connect your smart lock to your smart phone via standard Bluetooth.



Built Tough.

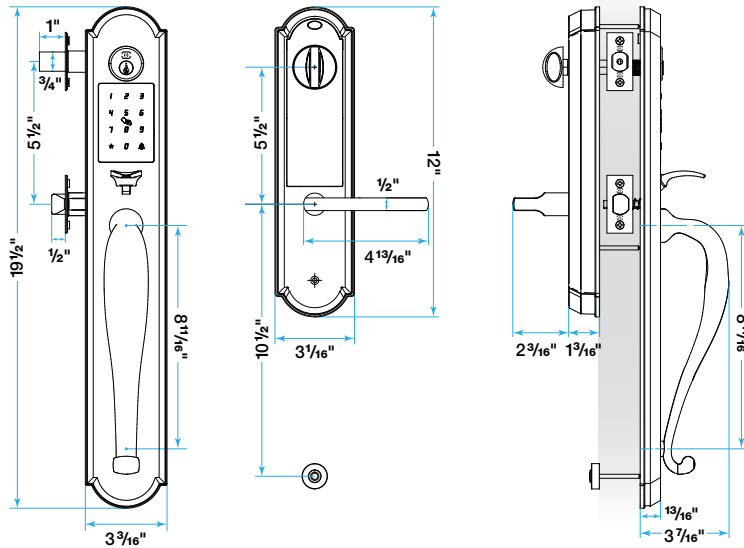
-  IP65 Waterproof & Dustproof
-  Working Temperature -4°F to 158°F
-  Antioxidized Surface
-  Salt Spray Tested 90-120 Hours
-  Prying-resistant Trigger
-  Premium Zinc Alloy Material
-  Easy-to-install Parts

Emergency? You're Covered.

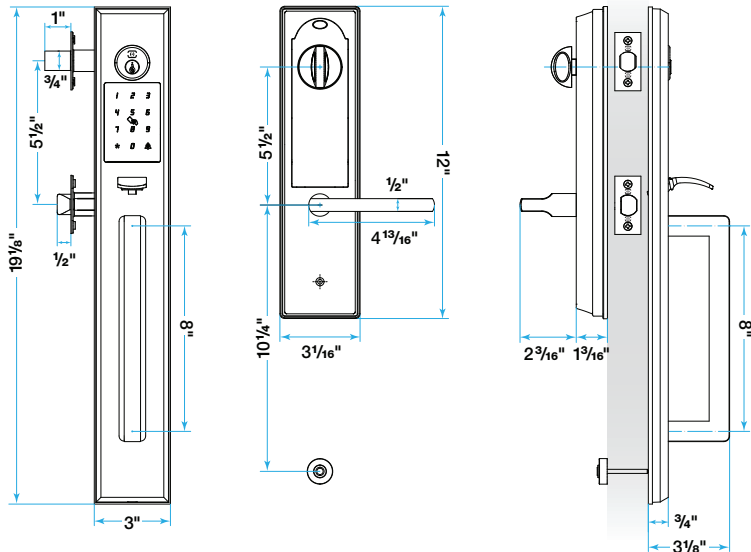
Forgot code? Each digital handle set in the 8600 Series comes with an emergency key fob and (2) two keys for back-up access.



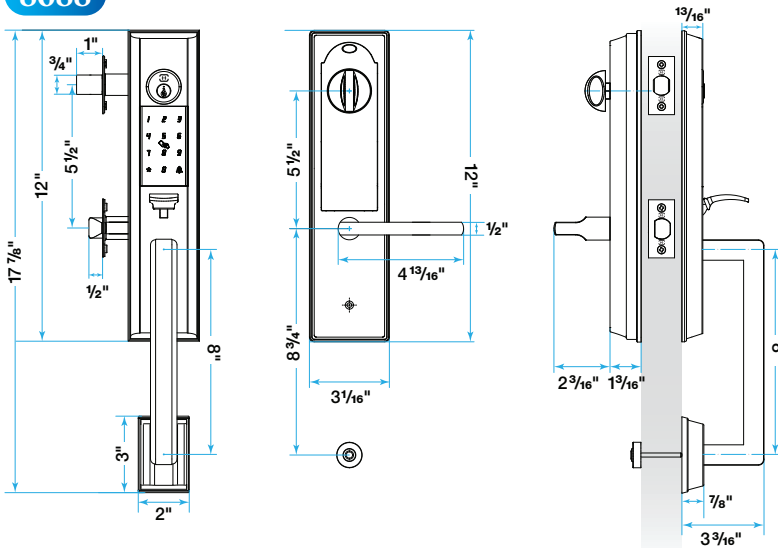
8668



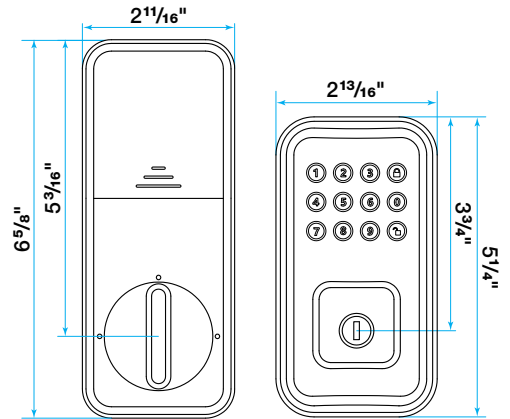
8669



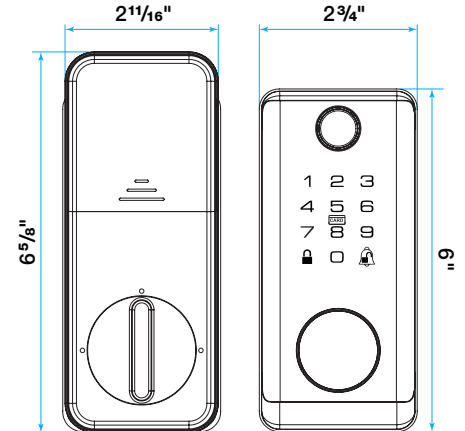
8688



3111

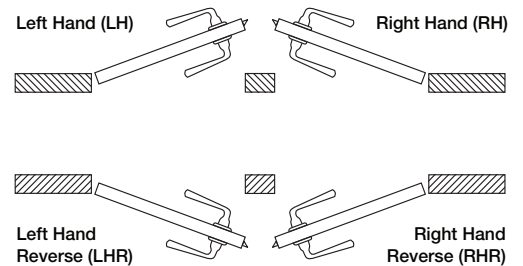


3112



Left / Right Door Handing

When ordering the 8600 series Wave lever, please specify handing **LH** (left hand), **RH** (right hand), **LHR** (left hand reverse), or **RHR** (right hand reverse).





Call or email us
to order.

Phone: (973) 239-7272

Email: orders@OMNIAindustries.com



OMNIA

OMNIA
SINCE 1964

5 Cliffside Drive • Box 330
Cedar Grove, New Jersey 07009

www.OMNIAindustries.com

