



INSTALLATION INSTRUCTIONS FOR STAINLESS STEEL LATCHSETS



CEDAR GROVE, NJ 07009

Installing Latch - Skip to #4 Instruction if door is pre-bored.

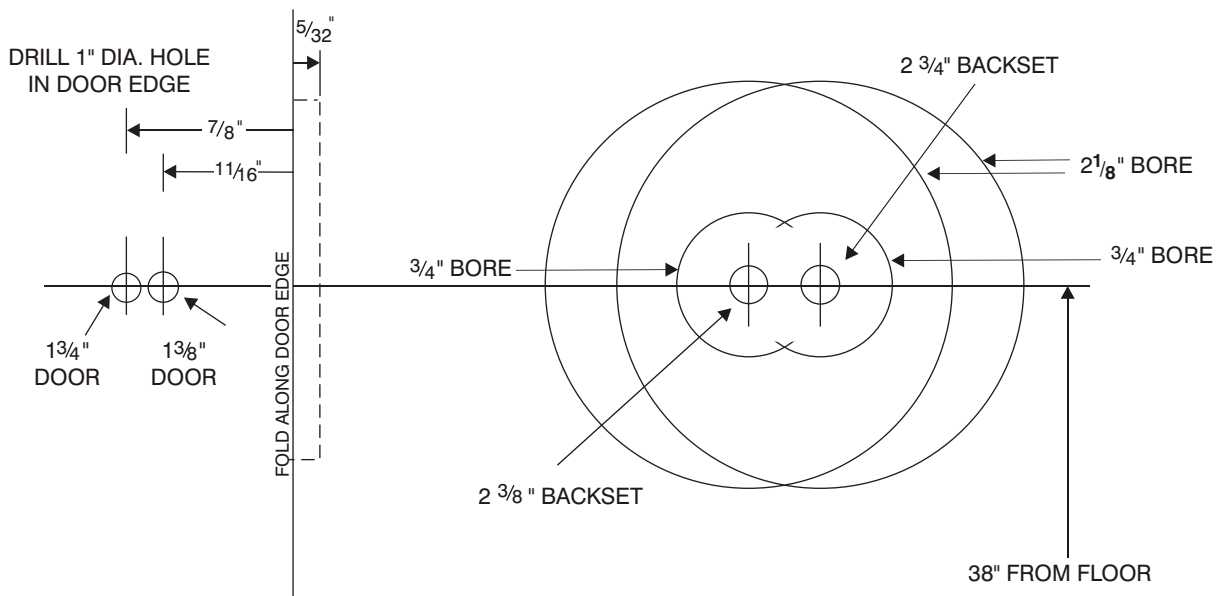
1. Using template, mark all points for drilling. Use correct backset for latch. Drill $2\frac{1}{8}$ " bore first. **For smaller diameter roses or narrow plates drill $\frac{3}{4}$ " diameter hole instead of $2\frac{1}{8}$ " bore.**
2. Using 1" boring bit, drill from the center of the door edge, at 38" FROM FLOOR mark, into the $2\frac{1}{8}$ " bore.
3. With face cover in place, position latch and mark perimeter of latch face plate on door edge. Mortise to accommodate latch face and face cover, approximately $\frac{5}{32}$ " deep.
4. **PASSAGE:** When installing a passage latch, hold latch with writing facing upwards.
PRIVACY: When installing a privacy latch, hold the latch so the threaded screw hole for the privacy pin is facing the inside (locking side) of the door.
5. Rotate latch bolt if necessary, using slight pressure. Apply faceplate with flat side of faceplate facing flat side of bolt. Position latch in door to suit bevel. Screw faceplate and latch to door.
6. **Before installing roses**, insert spindle through latch hub. **THIS MUST BE DONE BEFORE THE ROSES ARE INSTALLED.** For privacy, the spindle should be inserted through latch from exterior side of door, with the stop of spindle on same side. The tear drop cutout of spindle should face the set screw position on the knob or lever.

Installing Passage and Privacy Rose Set

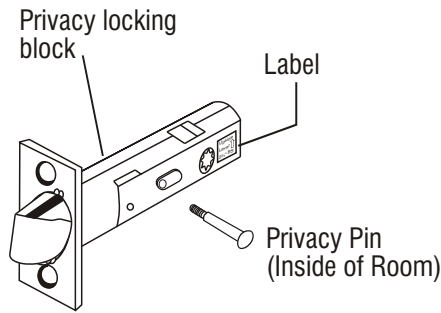
1. Remove the covers from both sides of the roses. Install the plastic sub-roses to each other through the door and fasten them together using the (2) screws provided.
PRIVACY: For privacy, make sure both roses have the words "**Door Edge**" facing the correct direction for the privacy pin. Install the (2) screws to fasten the roses together (do not tighten them down but leave them snug). Slide the levers onto the spindle on both sides and turn the sub-roses so that the ends of the levers are slightly pointing upwards. Tighten the screws to fasten the sub-roses together. (DO NOT OVERTIGHTEN SCREWS.) Slide off the lever handles.
2. Replace the rose covers onto the plastic adaptors by aligning the cut-out of the cover with the tab of the plastic adapter. Snap rose covers onto plastic adapter.
3. Slide both levers onto spindle until securely seated into roses. (For privacy, ensure the spindle is centered in the latch so each lever works independently). With set screws, fasten levers to spindle. If installing privacy, thread privacy pin through rose into latch after trim is applied.

Your Omnia Dealer/Distributor can help you with any further questions or information on other Omnia Products.

TUBULAR LATCH TEMPLATE



**INSTALLATION OF PRIVACY LATCH
(PRIVACY LATCH ONLY)**



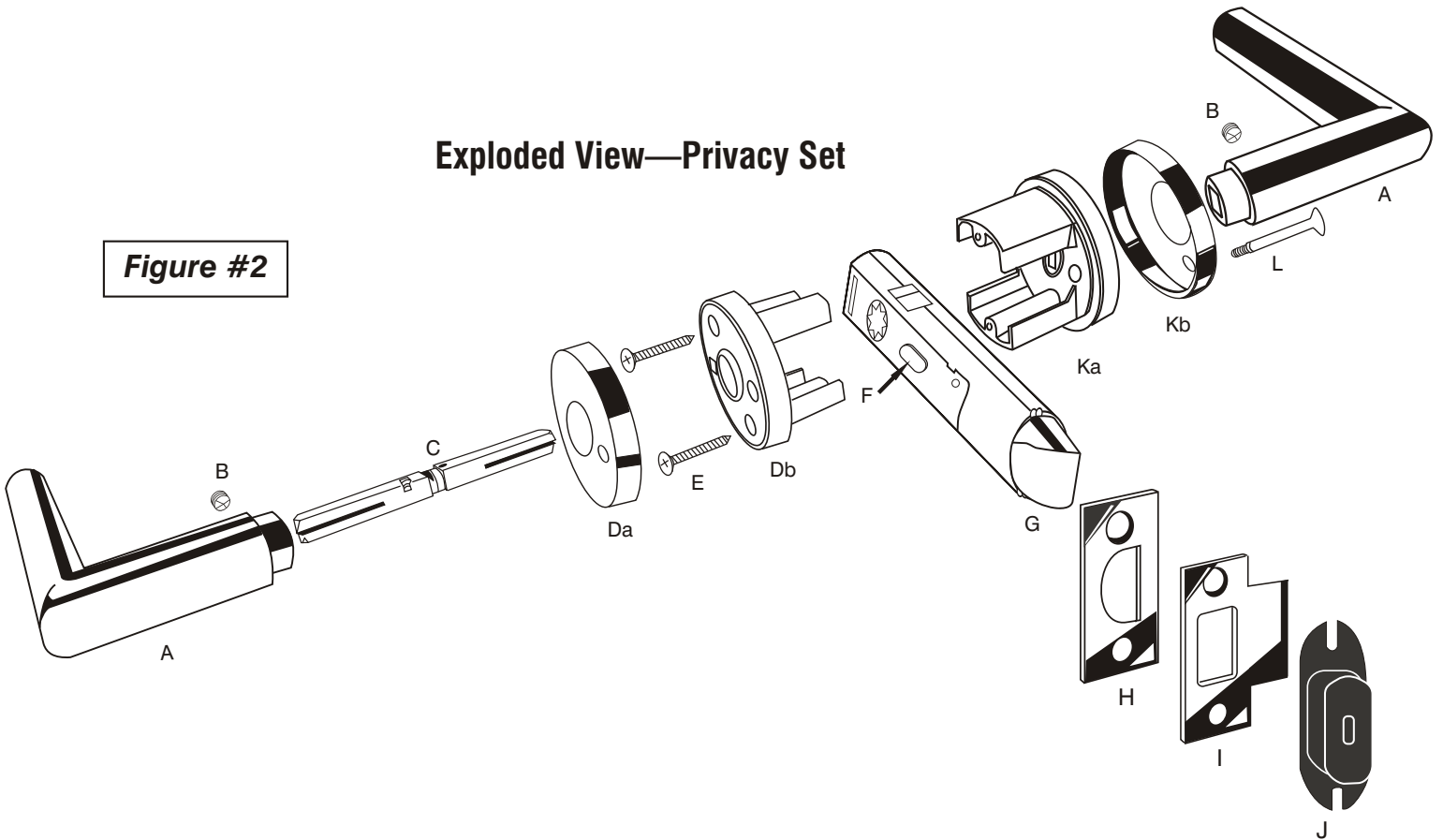
Install the latch so the threaded screw hole for the privacy pin is facing the inside (locking side) of the door.

***NOTE Thread privacy pin into latch after trim is applied.**

***NOTE For passage, install latch with writing on label facing upwards.**

Exploded View—Privacy Set

Figure #2



Stainless Steel Latchset Component List

- | | |
|---|-------------------------------|
| A) Door knob/lever (2) | F) Privacy locking block |
| B) Set screws (2) | G) Tubular latch |
| C) Spindle (teardrop groove positioned towards set screw) | H) Tubular latch face plate |
| Da) Finished rose | I) Tubular latch strike plate |
| Db) Plastic sub-rose | J) Tubular latch dust box |
| E) Thru-bolt screws (2) | Ka) Plastic sub-rose |
| | Kb) Finished rose |
| | L) Privacy locking pin |



CEDAR GROVE, NJ 07009



OM-TLSS
8/17/06