



INSTALLATION INSTRUCTIONS FOR
OMNIA TRADITIONS LATCHSETS
FOR 45mm & 55mm SURFACE MOUNTED ROSES



This set WILL NOT cover a 2¹/₈" pre-bored door

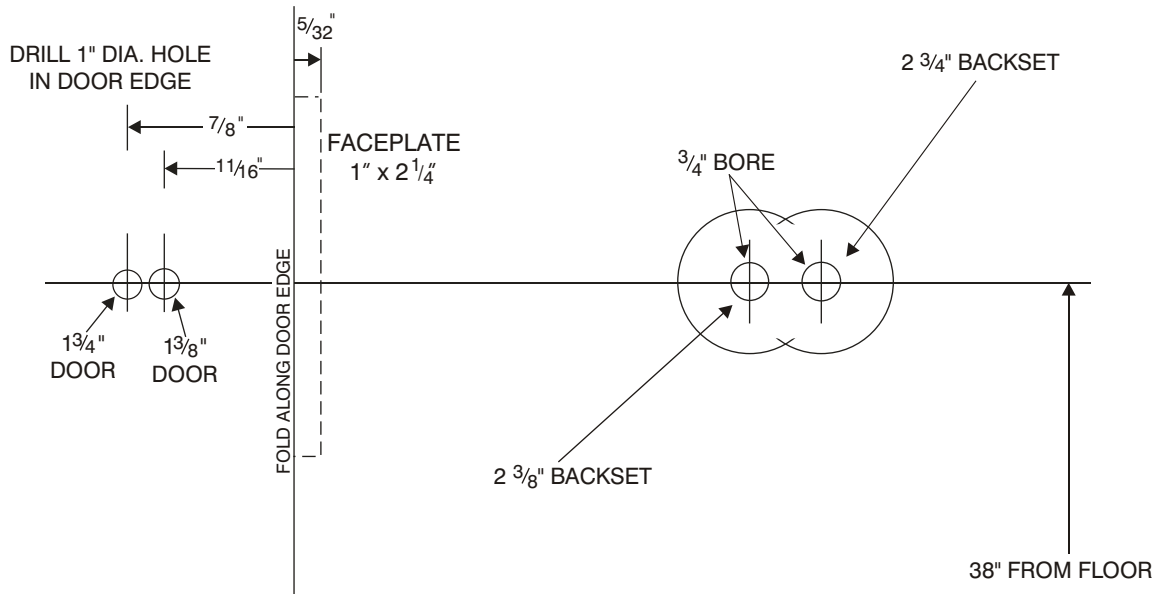
1. Using template, mark all points for drilling. Use correct backset for latch. **For 1³/₄" and 2" diameter roses or narrow plates, drill ³/₄" diameter hole. Do Not drill a 2¹/₈" bore.**
2. Using 1" bit, drill from door edge through the door to accommodate latch length.
3. With face cover in place, position latch and mark perimeter of latch faceplate on door edge. Mortise to accommodate latch face and face cover, approximately ⁵/₃₂" deep.
4. When installing the latch, hold latch with writing facing upwards.
5. Position latch in door to suit bevel. Rotate latch bolt if necessary, using slight pressure. Apply faceplate with flat side of faceplate facing flat side of latch bolt. Screw the faceplate and the latch to door.

INSTALLING ROSES:

6. Insert spindle through latch hub with the slot of the spindle facing the hinges (for levers) or downwards (for knobs). Place sub-roses (3B) onto spindle (6) on both sides of the door. Slide levers/knobs onto the spindle (6). Mark each sub-rose for three screw holes with pencil, then drill pilot holes. Remove levers/knobs and fasten sub-rose to the door with wood screws (4). Apply cover roses (3A) on both sides of door.
7. Slide nylon washers (10) onto shank of levers/knobs. Slide levers/knobs onto roses until securely seated inside of roses. Insert the set screws (2) into the levers/knobs and fasten to the spindle.

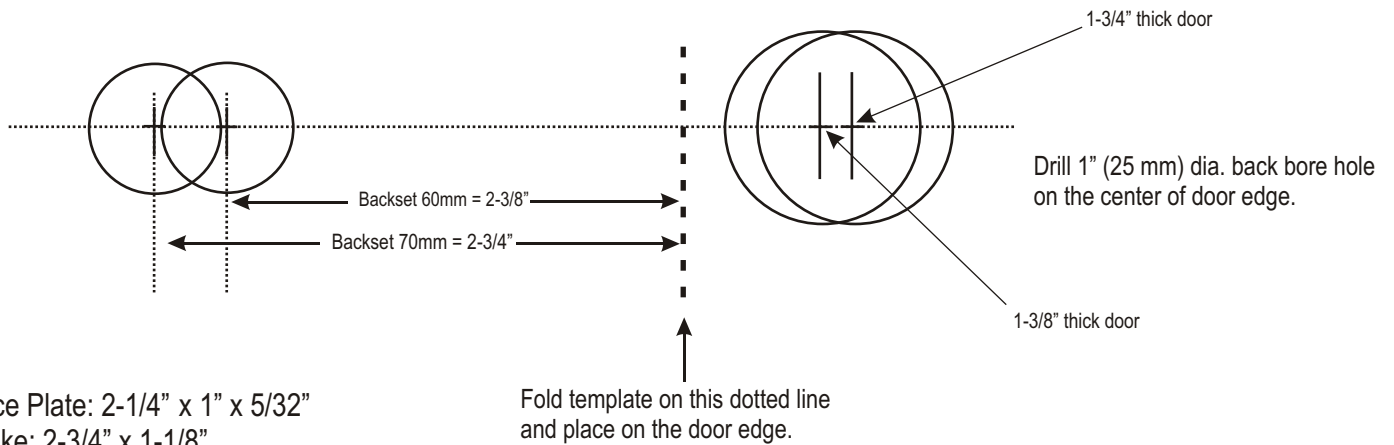
Your Omnia Dealer/Distributor can help you with any further questions or information on other Omnia Products.

TUBULAR LATCH TEMPLATE

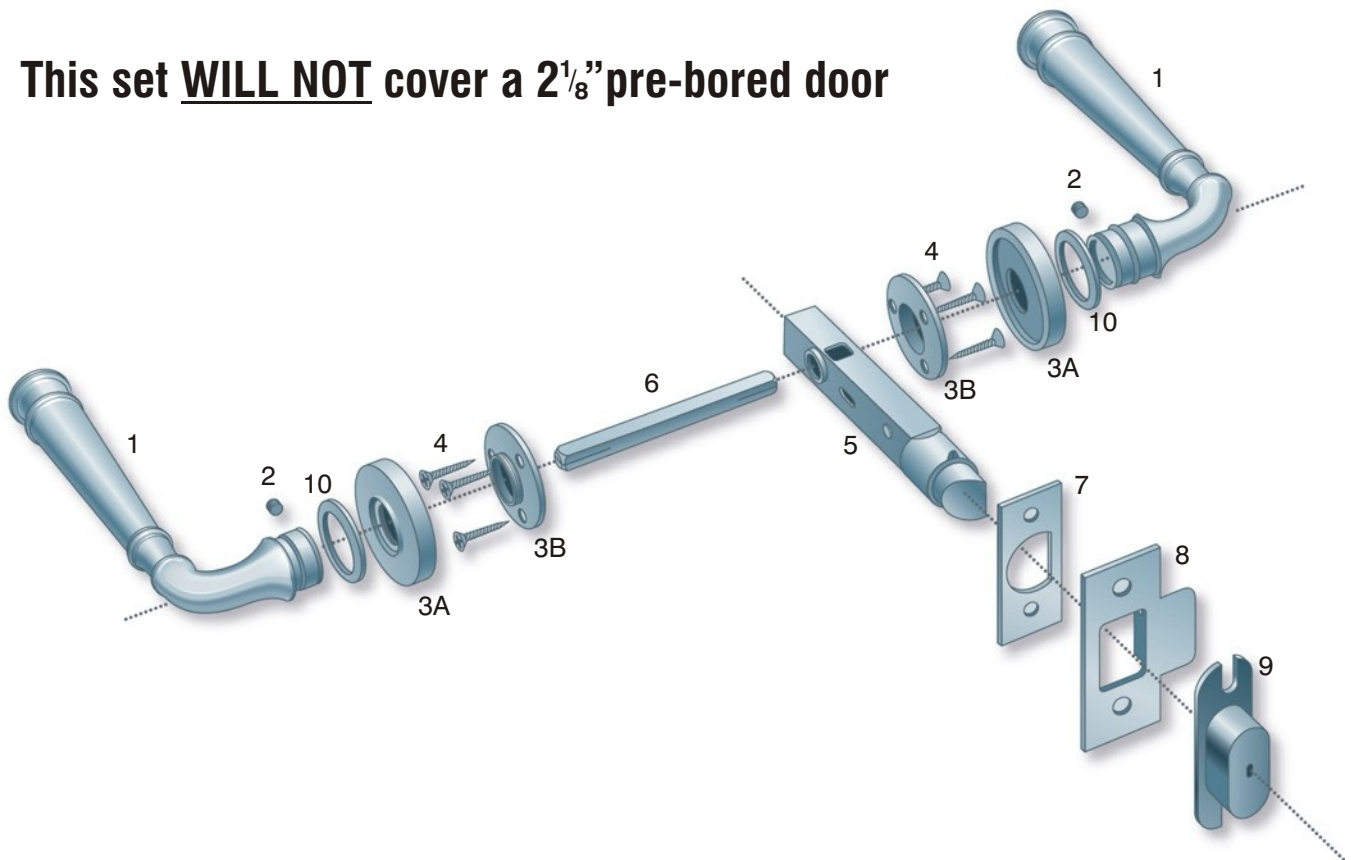


This set WILL NOT cover a 2¹/₈" pre-bored door

INSTALLATION OF PRIVACY LATCH BOLT



This set **WILL NOT** cover a 2^{1/8}" pre-bored door



Latchset Component List

- | | |
|-----------------------------------|-----------------------------------------------------------|
| 1. Door knob/lever (2) | 6. Spindle (teardrop groove positioned towards set screw) |
| 2. Set screws (2) | 7. Tubular latch faceplate |
| 3A. Finished rose (2) | 8. Tubular latch strike plate |
| 3B. Unfinished brass sub-rose (2) | 9. Tubular latch dust box |
| 4. Wood screws (6) | 10. Nylon washers (2) |
| 5. Tubular latch | |



CEDAR GROVE, NJ 07009



OMTRAD-TLC

06/20/08