

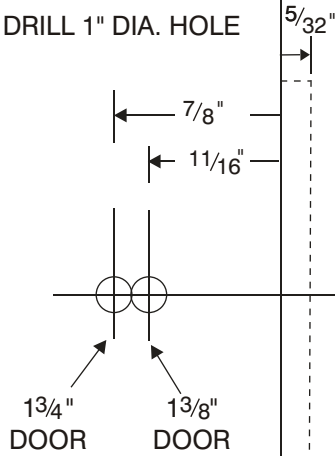
# NARROW PLATE LATCHSET INSTALLATION TEMPLATE

**NOTE: Template may not be true-to-size. Please use for reference purposes only. DO NOT drill until measurements are verified.**

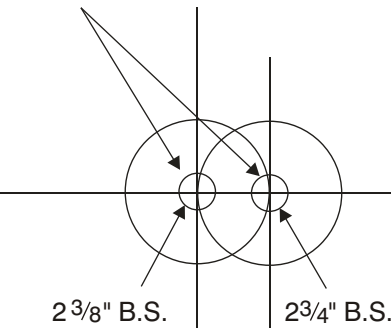
USE LATCH  
FACEPLATE AS  
A TEMPLATE

FOLD ALONG DOOR EDGE

DRILL 1" DIA. HOLE



DRILL 3/4" DIA. HOLE

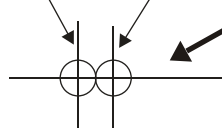


**LATCHBOLT**  
FOR LEVER OR KNOB

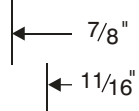
**IMPORTANT:**  
Drill 1" Diameter hole.  
3 3/4" Deep for 2 3/8" B.S.  
4 1/8" Deep for 2 3/4" B.S.

**IMPORTANT:**  
NOTE: DO NOT DRILL  
IF PRIVACY BOLT IS  
NOT BEING USED.

1 3/4" DOOR  
1 3/8" DOOR



DRILL 1" DIA. HOLE



DRILL 3/4" DIA. HOLE



**PRIVACY BOLT**  
ONLY DRILL IF USING  
PRIVACY BOLT

3 3/8" CC

38"  
FROM  
FLOOR

USE PRIVACY BOLT  
FACEPLATE AS  
A TEMPLATE

FOLD ALONG DOOR EDGE



CEDAR GROVE, NJ 07009