

## Narrow Plate Latchsets

- Features our tubular latch used worldwide.
- For residential and commercial use. *Consult with OMNIA for commercial applications.*
- 2<sup>3</sup>/<sub>8</sub>" and 2<sup>3</sup>/<sub>4</sub>" backsets available.
- Supplied for 2<sup>3</sup>/<sub>8</sub>" backset and 1<sup>3</sup>/<sub>8</sub>" door thickness unless otherwise specified.
- All levers are ADA approved.

### Functions

**Passage:** Latch operates by knob or lever from either side.

**Privacy:** Latch operates by knob or lever from either side. Locks by privacy bolt with turnpiece on inside; emergency release hole on outside plate. For bathroom or bedroom.

**Pair Dummy:** Trim only. Available for surface mounting or with thru-bolt assembly. *Dummy lever application not recommended for commercial use.*

**Single Dummy:** Trim, one side only. Surface mounted. *Dummy lever application not recommended for commercial use.*

### Solid Brass Backplates

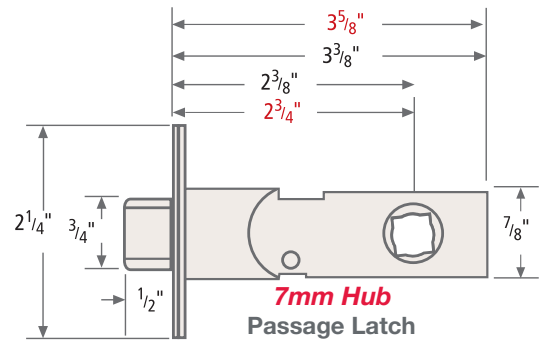
13000 Series	9 <sup>3</sup> / <sub>8</sub> " x 1 <sup>7</sup> / <sub>16</sub> " x 1/4" proj.
16000 Series	9 <sup>3</sup> / <sub>8</sub> " x 1 <sup>3</sup> / <sub>8</sub> " x 1/4" proj.
17000 Series	8 <sup>1</sup> / <sub>4</sub> " x 1 <sup>5</sup> / <sub>16</sub> " x 7/32" proj.
18000 Series	9 <sup>1</sup> / <sub>4</sub> " x 1 <sup>7</sup> / <sub>16</sub> " x 7/32" proj.
19000 Series	9 <sup>7</sup> / <sub>16</sub> " x 1 <sup>1</sup> / <sub>2</sub> " x 1/4" proj.
21000 Series	10 <sup>9</sup> / <sub>16</sub> " x 1 <sup>3</sup> / <sub>4</sub> " x 1/4" proj.
22000 Series	11 <sup>7</sup> / <sub>16</sub> " x 1 <sup>3</sup> / <sub>4</sub> " x 1/4" proj.

### Finishes

- US3
- US26
- US26D
- SB

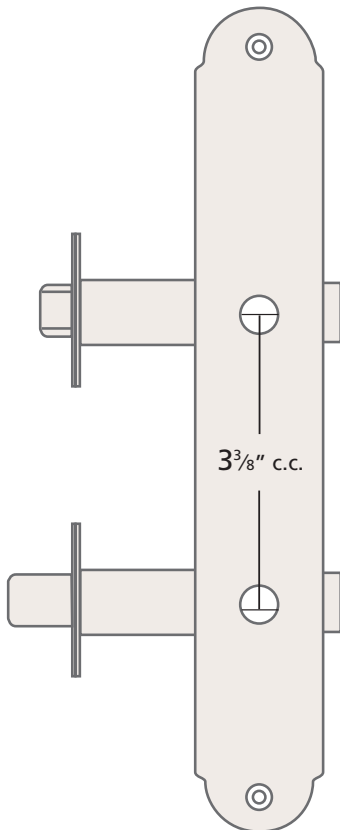
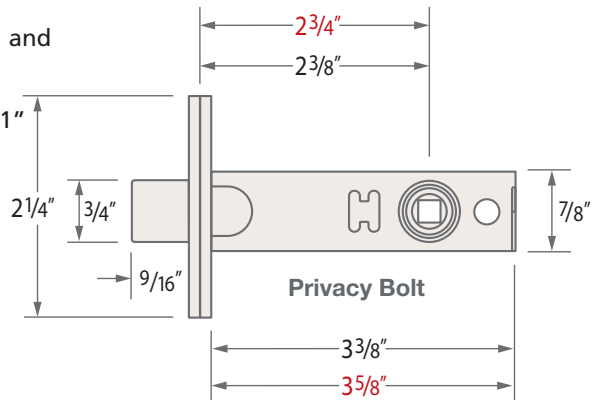
Available in 2<sup>3</sup>/<sub>8</sub>" and 2<sup>3</sup>/<sub>4</sub>" backsets.

Faceplate: 2<sup>1</sup>/<sub>4</sub>" x 1"  
Strike: 2<sup>3</sup>/<sub>4</sub>" x 1<sup>1</sup>/<sub>8</sub>"  
Bolt: 1/2" throw



Available in 2<sup>3</sup>/<sub>8</sub>" and 2<sup>3</sup>/<sub>4</sub>" backsets.

Faceplate: 2<sup>1</sup>/<sub>4</sub>" x 1"  
Strike: 2<sup>3</sup>/<sub>4</sub>" x 1<sup>1</sup>/<sub>8</sub>"  
Bolt: 9/16" throw



DRAWING NOT TO SCALE



All OMNIA lever latchsets meet ADA accessibility requirements.