

# Handlesets PRODUCT DATA

**Specifications:** 2 1/2" or 2 3/4" b.s. Mortise Locksets.

**For Doors:** with 3 7/8" minimum stile for 2 1/2" b.s. lock. 4 1/2" minimum stile for 2 3/4" b.s. lock. 1 3/4" thick as a standard. For doors over 1 3/4" thick, please specify door thickness and if extended lip strike is required.

**Case:** 2 1/2" b.s.: 3 5/8" x 6 1/16" x 1 5/16".  
2 3/4" b.s.: 3 15/16" x 6 1/16" x 1 5/16". Heavy wrought steel with zinc dichromate finish for corrosion resistance.

**Backset:** 2 1/2" or 2 3/4". (2 1/2" b.s. shipped standard.)

**Front:** Armored steel front, adjustable for beveled conditions. With 8" x 1 1/4" solid brass faceplate. Finished to match trim.

**Latchbolt:** 1" x 5/8" x 3/4" full throw. Solid brass with anti-friction design.

**Deadbolt:** 1 3/16" x 9/16" x 1" full throw. Solid brass, one-piece component with saw-proof insert.

**Springs:** High carbon steel.

**Strike:** Solid brass curved lip strike. 4 7/8" x 1 1/4" x lip 1 1/4" to center. Finished to match trim. Dust box shipped with set. Extended lip strikes available.

**Hand:** Fully reversible. When ordering specify right hand or left hand, and if reverse bevel is needed.

**Cylinder:** Solid brass from bar stock. Made in USA. Supplied with Schlage "C" keyway as a standard and two nickel silver keys. Ship standard Keyed Different (KD). Specify Keyed Alike (KA) when needed. Special keying available upon request.

## CAUTION:

### Door and Frame Manufacturers

When door gasketing or silencers are used, proper allowances must be made for strike location to maintain a common centerline with lock and door so that the bolt will freely enter strike.

## BACKPLATE DIMENSIONS:

### AMAGANSETT

Exterior: 21" x 2 7/8" x 3/8"

Interior: 13 7/8" x 2 7/8" x 3/8"

### GEORGICA

Exterior: 22 1/8" x 3" x 3/8"

Interior: 14" x 3" x 3/8"

## FUNCTIONS

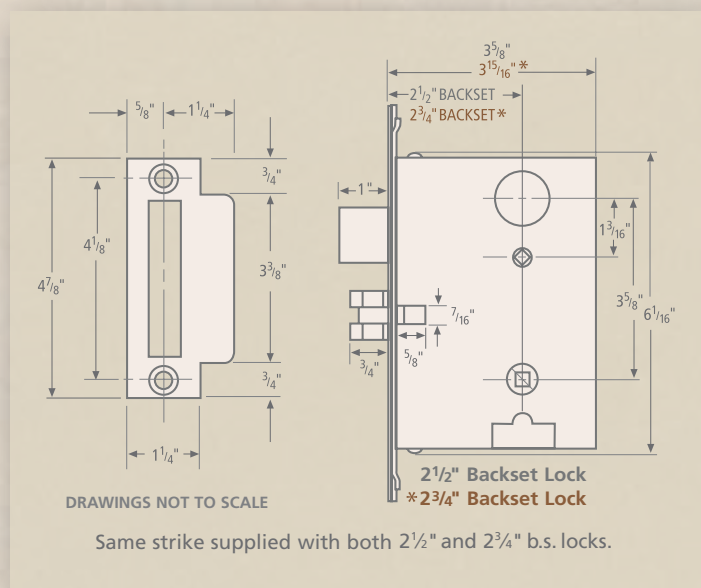
STANDARD — A

DOUBLE CYLINDER — AC

PANIC-PROOF — F

Other functions available on request.

Dummy applications not recommended for commercial use.



Conforms to requirements of ANSI / BHMA A156.13 Series 1000

Made In U.S.A. LISTED