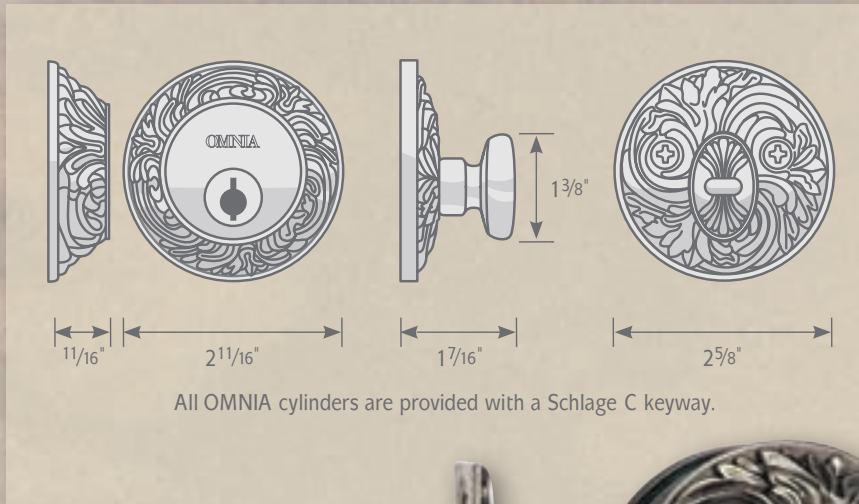


# AUXILIARY DEADBOLT KITS

The auxiliary deadbolt is intended for use with a door that needs to be locked with a key. This locking function can be used where security is required and features a rim cylinder with a tailpiece on the exterior and a turnpiece on the interior side of the door.

**OMNIA**  
The **CLASSICO**  
Collection



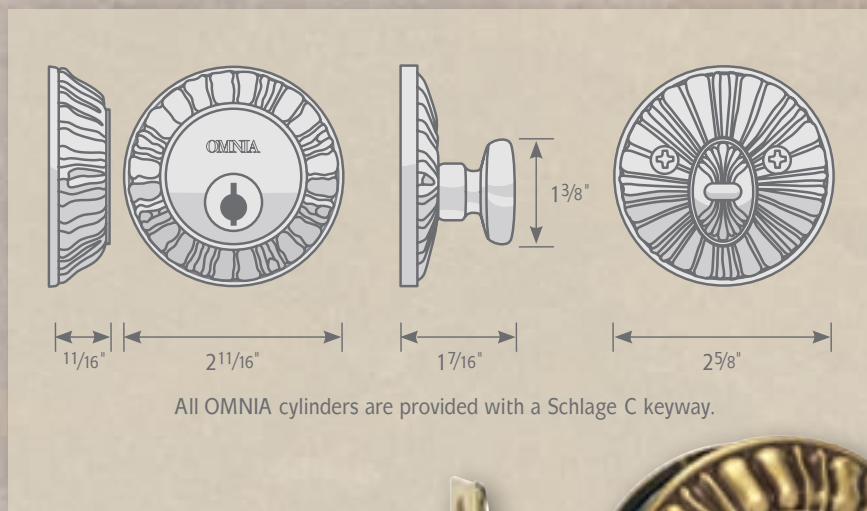
All OMNIA cylinders are provided with a Schlage C keyway.

## Floral FLORDB

Finishes: BAS, BPS, D, ETR  
2 11/16" Diameter  
1 1/16" Exterior Projection  
1 7/16" Interior Turnpiece Projection

Minimum door thickness 1 3/8"  
Maximum door thickness 3"

Please specify 2 3/8" or 2 3/4" backset.



All OMNIA cylinders are provided with a Schlage C keyway.

## Reeded REEDDB

Finishes: BAS, BPS, D, ETR  
2 11/16" Diameter  
1 1/16" Exterior Projection  
1 7/16" Interior Turnpiece Projection

Minimum door thickness 1 3/8"  
Maximum door thickness 3"

Please specify 2 3/8" or 2 3/4" backset.

