

OMNIA
INDUSTRIES, INC.

Entrance Handlesets



ENTRANCE HANDLESETS



*Amagansett**

US3
US15
MAX•BRASS**
SB

BAS For these finishes,
BPS interior knob and lever
D options are available in
ETR the *Classico Catalog*.

21" Overall
2⁷/₈" Projection

*Maximum door
thickness is 2¹/₄"
and is available at
an extra charge.*



**Interior Trim
With 232 Knob**

US3 US15 MAX•BRASS SB



**Interior Trim
With 251 Lever**

*Georgica**

US3
US10B
US15
MAX•BRASS**
SB

BAS For these finishes,
BPS interior knob and lever
D options are available in
ETR the *Classico Catalog*.

22¹/₈" Overall
3¹/₈" Projection

*Maximum door
thickness is 2¹/₄"
and is available at
an extra charge.*



**Interior Trim
With 294 Knob**

US3 USB10 US15
MAX•BRASS SB



**Interior Trim
With 233 Lever**

US3 MAX•BRASS
SB



Entrance Handlesets Finish Options

Finish Codes

US3 Polished Brass, Lacquered
US10B Oil-Rubbed Bronze, Lacquered
US15 Satin Nickel Plated, Lacquered
US26 Polished Chrome Plated
US26D Satin Chrome Plated
BAS Siena Brass, Lacquered
BPS Venetian Nickel, Lacquered
D Florentine Brass, Lacquered

Description

Finish Codes

ETR Etruscan Bronze, Lacquered
MAX•BRASS Max•Brass® PVD Plated
MAX•STEEL Max•Steel™ PVD Plated
SB Shaded Bronze, Lacquered
VB Vintage Brass, Lacquered
VC Vintage Copper, Lacquered
VI Vintage Iron, Lacquered

Description

*Trademark Pending

**The Max•Brass® Finish
No tarnish...guaranteed!

ENTRANCE HANDLESETS



Estate

US3
MAX•BRASS*
SB

16" Overall
2³/₄" Projection



Tudor

US3
MAX•BRASS*
MAX•STEEL
SB / VB / VC / VI

16" Overall
2³/₄" Projection



Waldorf

US3
US26
US26D

17³/₄" Overall
2⁷/₈" Projection



Manor

US3
MAX•BRASS*
SB
VB / VC / VI

17¹/₂" Overall
2¹/₂" Projection



Interior Trim With 432 Knob
Interior Trim With 752 Lever
US3 MAX•BRASS SB



Interior Trim With 432 Knob†
Interior Trim With 752 Lever
US3 MAX•BRASS SB
US3 MAX•BRASS MAX•STEEL SB
VB / VC / VI



Interior Trim With 198 Knob
Interior Trim With 042 Lever
US3 US26 US26D



Interior Trim With 432 Knob†
Interior Trim With 752 Lever
US3 MAX•BRASS SB
US3 MAX•BRASS SB
VB / VC / VI

*The Max•Brass® Finish No tarnish...guaranteed!

†Vintage available with the 860 Knob.

PRODUCT DATA

SPECIFICATIONS: 2¹/₂" or 2³/₄" b.s. Mortise Lock Sets

For Doors: with 3⁷/₈" minimum stile for 2¹/₂" b.s. lock. 4³/₈" minimum stile for 2³/₄" b.s. lock. 1³/₄" thick as a standard. For doors over 1³/₄" thick, specify door thickness.

Case: 2¹/₂" b.s.: 3⁵/₈" x 6¹/₁₆" x 1¹⁵/₁₆". 2³/₄" b.s.: 3¹⁵/₁₆" x 6¹/₁₆" x 1¹⁵/₁₆". Heavy wrought steel with zinc dichromate finish for corrosion resistance.

Backset: 2¹/₂" or 2³/₄". (2¹/₂" b.s. shipped standard.)

Front: Armored steel front, adjustable for beveled conditions. With 8" x 1¹/₄" solid brass faceplate. Finished to match trim.

Latchbolt: 1" x 5⁵/₈" x 3³/₄" full throw. Solid brass with anti-friction design. US4 finish only.

Deadbolt: 1³/₁₆" x 9⁹/₁₆" x 1" full throw. Solid brass, one-piece component with saw-proof insert. US4 finish only.

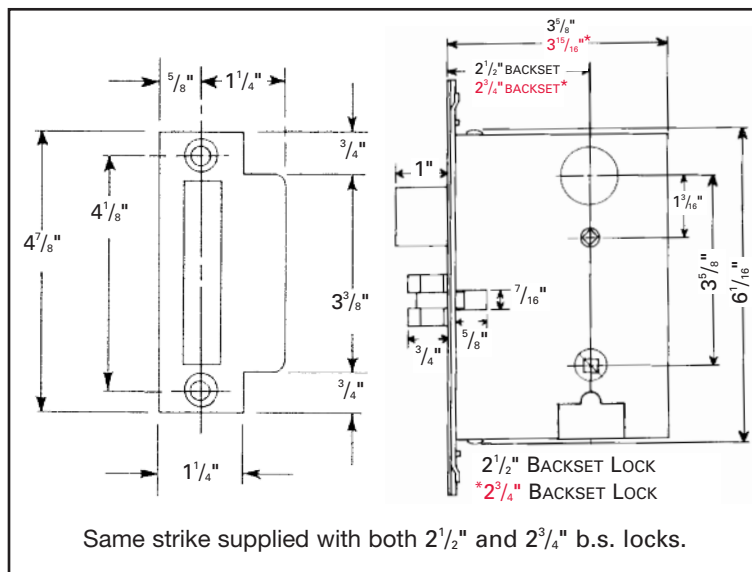
Springs: High carbon steel.

Strike: Solid brass curved lip strike. 4⁷/₈" x 1¹/₄" x lip 1¹/₄" to center. Finished to match trim. Dust box shipped with set.

Hand: Fully reversible. When ordering specify right hand or left hand, and if reverse bevel is needed.

Cylinder: Solid brass from bar stock. Made in USA. Supplied with Schlage "C" keyway as a standard and two nickel silver keys. Ship standard Keyed Different (KD). Specify Keyed Alike (KA) when needed. Special keying available upon request.

Hubsize: .290" (7mm or 3³/₈" hub. Broached on the square position. Hub is on one side of the lock only.



Conforms to requirements of ANSI / BHMA A156.13 Series 1000.



BOX 330 • CEDAR GROVE, NJ 07009



973-239-7272 • FAX: 973-239-5960

www.OmniaIndustries.com



LOCK OPTIONS:

Standard — A: Latchbolt operates by knob or lever inside, thumbpiece outside except when outside trim is locked by rocker switch; then opens by key outside, by knob or lever inside. Deadbolt activated by key outside and turnpiece inside.

Double Cylinder — AC: Latchbolt operates by knob or lever inside, thumbpiece outside except when outside trim is locked by rocker switch; then opens by key outside, by knob or lever inside. Deadbolt activated only by key from either side.

Panic Proof — F: Latchbolt operates by knob or lever inside, thumbpiece outside, except when outside trim is locked by rocker switch. Deadbolt activated by key outside and turnpiece inside. Turning of inside knob or lever will retract both deadbolt and latchbolt at the same time.

Other functions available on request.

Dummy applications not recommended for commercial use.

BACKPLATE DIMENSIONS:

AMAGANSETT

Exterior: 21" x 2¹/₈" x 3³/₈"

Interior: 13⁷/₈" x 2⁷/₈" x 3³/₈"

GEORGICA

Exterior: 22¹/₈" x 3" x 3³/₈"

Interior: 14" x 3" x 3³/₈"

ESTATE

Exterior: Cylinder Rose & Bottom Plate — 3¹/₁₆" x 1³/₄" x 5⁵/₁₆"

Top Plate — 4⁹/₁₆" x 2¹³/₁₆" x 5⁵/₁₆"

Interior: 10⁵/₁₆" x 2³/₄" x 5⁵/₁₆"

TUDOR

Exterior (Top Plate) and Interior: 10⁵/₁₆" x 2³/₄" x 5⁵/₁₆"

Exterior: Bottom Plate — 3¹/₁₆" x 1³/₄" x 5⁵/₁₆"

WALDORF

Exterior (Top Plate) and Interior: 10⁹/₁₆" x 2³/₈" x 5⁵/₁₆"

Exterior: Bottom Plate — 1³/₄" Dia. x 1¹/₄"

MANOR

Exterior (Top Plate) and Interior: 10⁵/₁₆" x 2³/₈" x 5⁵/₁₆"

Exterior: Bottom Plate — 2¹/₁₆" x 1⁵/₈" x 1¹/₄"

CAUTION: Door and Frame Manufacturers

When door gasketing or silencers are used, proper allowances must be made for strike location to maintain a common centerline with lock and door so that the bolt will freely enter strike.